

# **SNO-WAY**®

**SNOW & ICE CONTROL EQUIPMENT**

## **SERVICE PARTS MANUAL**

**26 SERIES AND 26R SNOW PLOWS WITH  
EIS® PLOW LIGHT HARNESS  
CONNECTIONS**

FOR GRAVITY HYDRAULICS  
WITH SERIAL NUMBERS BEFORE 26G100300  
WITH SERIAL NUMBERS AFTER 26G200000

FOR DOWN PRESSURE® HYDRAULICS  
WITH SERIAL NUMBERS BEFORE 26D103000  
WITH SERIAL NUMBERS AFTER 26D200000 & 26R100000

Sno-Way®, Down Pressure® and EIS® are registered trademarks of Sno-Way International, Inc.  
ProControl™, MegaBlade™, V-Wing™, E-Z Switch™, Revolution™, MaxAdjust™, SpeedLock™, and QuickJack™  
are trademarks of Sno-Way International, Inc.

©2023 Sno-Way® International

97101026W

# TABLE OF CONTENTS

|   | Page |
|---|------|
| PARTS LIST INTRODUCTION .....   | 2    |
| POWER PACK FRAME .....  | 3    |
| POWER PACK FRAME (continued).....   | 5    |
| BLADES - 26 SERIES .....  | 7    |
| BLADE - 26R SERIES (FRONT) .....  | 8    |
| BLADE - 26R SERIES (REAR) - WING FOLD MECHANISM/GUIDES .....                              | 9    |
| HYDRAULIC SYSTEM - 26 SERIES GRAVITY DOWN .....   | 10   |
| HYDRAULIC SYSTEM - 26 SERIES DOWN PRESSURE .....  | 11   |
| HYDRAULIC SYSTEM - 26R SERIES.....  | 12   |
| HYDRAULIC POWER UNIT - 26 SERIES GRAVITY DOWN SYSTEM .....                                | 13   |
| HYDRAULIC POWER UNIT - 26 SERIES DOWN PRESSURE SYSTEM<br>With S.N. Before: 26D202104..... | 15   |
| HYDRAULIC POWER UNIT - 26 SERIES DOWN PRESSURE SYSTEM<br>With S.N. After: 26D202105.....  | 17   |
| HYDRAULIC POWER UNIT - 26R SERIES<br>With S.N. After: 26R100000 .....                     | 19   |
| AUXILIARY LIGHTS<br>S.N. : 26D100000 - 26D100149 .....                                    | 21   |
| AUXILIARY LIGHTS<br>S.N. BETWEEN: 26D100150-26D201115, 26G100000-26G200077 .....          | 23   |
| AUXILIARY LIGHTS<br>S.N. AFTER: 26D201115, 26G200077, 26R100000 .....                     | 25   |
| POWER PACK WIRING .....   | 27   |
| NUMERICAL INDEX .....   | 28   |

**NOTE: For CONTROLLER SYSTEM WIRING - See Manual 97101915 - Snow Plow and Spreader Controls for parts breakdown and details.**

# PARTS LIST INTRODUCTION

Our dealership network stands by to provide you with any assistance you may require, including genuine Sno-Way service parts. All parts should be obtained from or ordered through your dealer. Give complete information about the part as well as the Model Number and Serial Number of your machine.

Record the Serial Number in the space provided in your Owner's Manual for quick reference. The Serial Number for the unit is on a plate located on the left frame gusset of the Hopper Frame.

"Right" and "Left" are determined from a position sitting on the Operators Seat of the vehicle.

We reserve the right to make changes or improvements in the design or construction of any part without incurring the obligation to install such changes in any unit previously delivered.

## USING THIS PARTS LIST

Below is parts listing with four columns. The first column is the "ITEM", the second is the "PART NUMBER", The third is the "DESCRIPTION" and the fourth is the "QUANTITY".

The **"ITEM"** is the number used in the corresponding illustration.

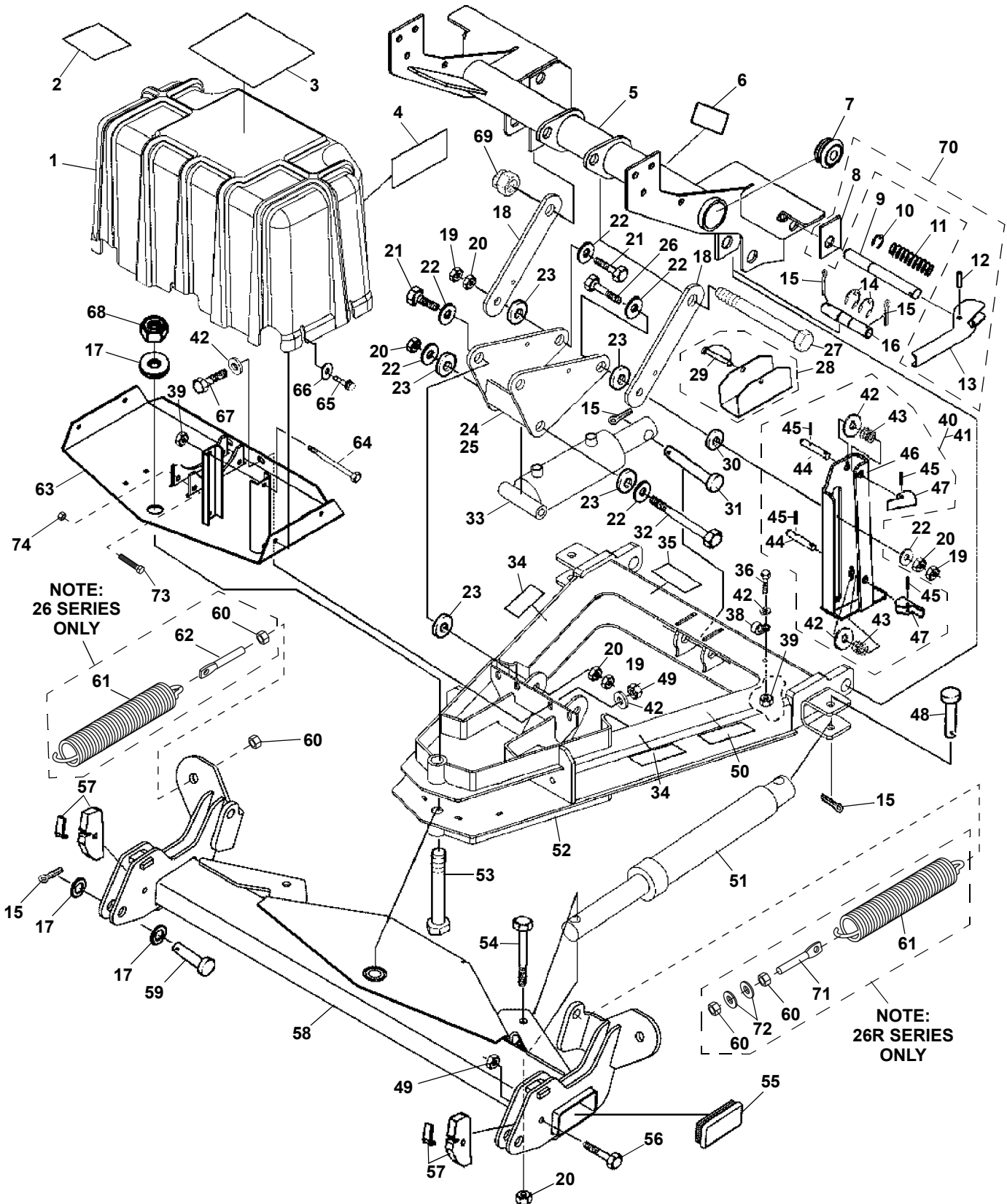
The **"PART NO."** Is the number used to order replacement parts. If a number does not appear in the column the part is only available by ordering the complete assembly.

The **"DESCRIPTION"** is the name of the replacement part. At times the name may be indented, this means that the indented parts are part of the preceding assembly.

The **"QTY."** Is the quantity needed to service the assembly illustrated, not the complete product.

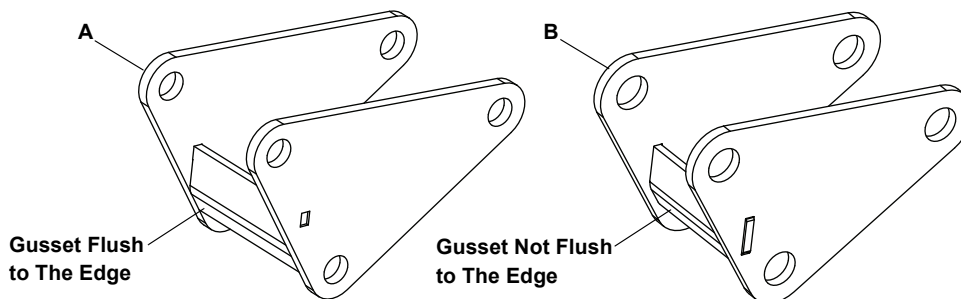
| ITEM | PART NO. | DESCRIPTION                      | QTY. |
|------|----------|----------------------------------|------|
| 1    | 96100083 | O-ring                           | 1    |
| 2    | 96001529 | Elbow                            | 3    |
| 3    | 98100036 | Capscrew, Hex., 3/8"-16NC x 7/8" | 9    |

# POWER PACK FRAME

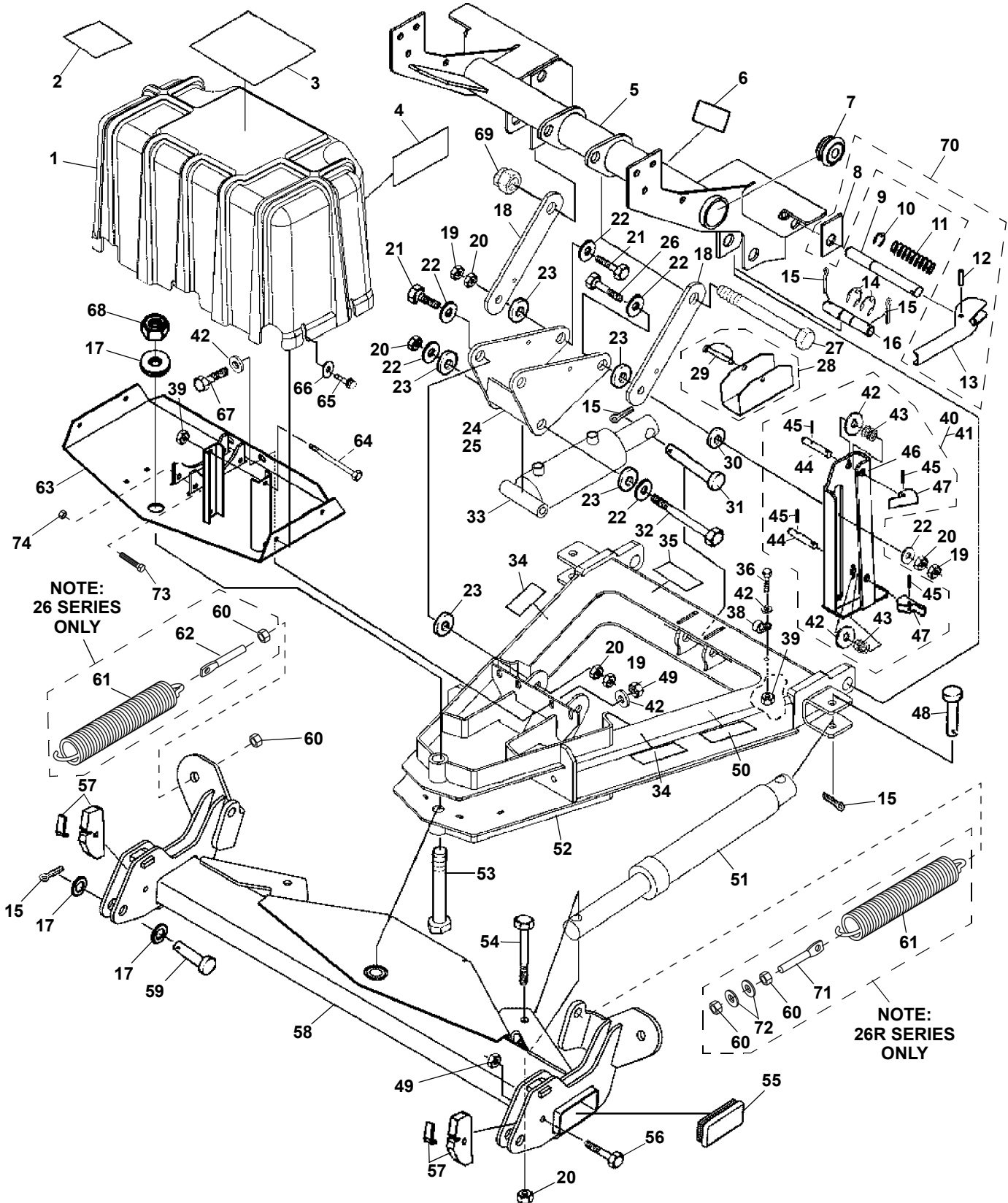


# POWER PACK FRAME

| ITEM | PART NO. | DESCRIPTION   | QTY |
|------|----------|---|-----|
| 1    | 96113427 | Cover, Pump, 26 Series Down Pressure (Includes items 2, 3 & 4) .....  | 1   |
|      | 96114511 | Cover, Pump, Gravity.....   | 1   |
|      | 96113426 | Cover, Pump, 26R (Includes items 2, 3 & 4).....   | 1   |
| 2    |          | Decal, Wiring Schematic.....  | 1   |
|      |          | Decal, Pump Diagram, R Series.....  | 1   |
| 3    |          | Decal, Mounting Instructions .....  | 1   |
| 4    |          | Decal, Warning, Cover Removal .....   | 1   |
| 5    |          | Light/Lift Bar, Quick-Attach .....  | 1   |
|      | 96107551 | Assembly, Light/Lift Bar, Quick-Attach<br>(Includes items 6, 8, 9, 10, 11, 12, 13) .....  | 1   |
| 6    |          | Decal, Warning .....  | 1   |
| 7    | 96108873 | End Cap, 2-1/4" .....   | 2   |
| 8    | 96107329 | Plate, Bearing, Polyethylene (for plows with vertical cams) .....   | 2   |
|      | 96110515 | Plate, Bearing, Polyethylene<br>(For plows with horizontal cams).....   | 2   |
| 9    | 96107128 | Pin, Quick-Tatch - Upper Hitch Pin (for plows with horizontal cams).....  | 2   |
|      | 96107012 | Pin, Quick-Tatch - Upper Hitch Pin (for plows with vertical cams).....  | 2   |
| 10   | 98100312 | E-Ring.....   | 2   |
| 11   | 96107130 | Spring, SS (For plows with horizontal cams) .....   | 2   |
|      | 96107505 | Spring, SS (For plows with vertical cams) .....   | 2   |
| 12   | 98100313 | Pin, Roll, 1/4 x 1-3/8" SS .....  | 2   |
| 13   |          | Handle, Quick-Release (For plows with horizontal cams) (use kit item 70)  |     |
|      | 96107013 | Handle, Quick-Release (For plows with vertical cams) .....  | 2   |
| 14   | 98100326 | E-Ring, 7/8" .....  | 4   |
| 15   | 98009085 | Pin, Cotter, 5/32" x 1-1/2" .....   | 9   |
| 16   | 96107014 | Pin, Quick Hitch - Lower Hitch Pin<br>(Use for Serial Numbers on or before 26D102153 of 26G100194).....                               | 2   |
|      | 96109929 | Pin, Quick Hitch - Lower Hitch Pin<br>(Use for Serial Numbers on or after 26D102154 or 26G100195).....                                | 2   |
|      |          |   |     |
| 17   | 98009030 | Washer, Flat, 3/4" .....  | 5   |
| 18   | 96106913 | Link, Lift .....  | 2   |
| 19   | 98100172 | Nut, Jam, 1/2"-13.....  | 4   |
| 20   | 98009013 | Nut, Nylock, 1/2"-13.....   | 7   |
| 21   | 98100390 | Cap Screw, Hex, 1/2"-13 x 1-3/4" .....  | 3   |
| 22   | 98100176 | Washer, Hardened.....   | 7   |
| 23   |          | Bushing.....  | 6   |
|      | 96110394 | Kit, Bushing (Includes bushings and all mounting hardware)<br>(For Bellcranks that look like image A at the bottom of the page) ..... | 1   |
|      | 96117599 | Kit, Bushing (Includes bushings and all mounting hardware)<br>(For Bellcranks that look like image B at the bottom of the page) ..... | 1   |
| 24   | 96105618 | Bellcrank (Limited Availability)<br>(Can only be used with bushing kit 96110394) .....  | 1   |
|      |          |   |     |
| 25   | 96117600 | Kit, Bellcrank Service (Not Shown) (Includes items 23 and 24) .....   | 1   |
| 26   | 98100062 | Cap Screw, Hex, 1/2"-13 x 2-1/4" .....  | 1   |
| 27   | 98100324 | Cap Screw, Hex, 3/4"-10 x 6-1/2" .....  | 1   |



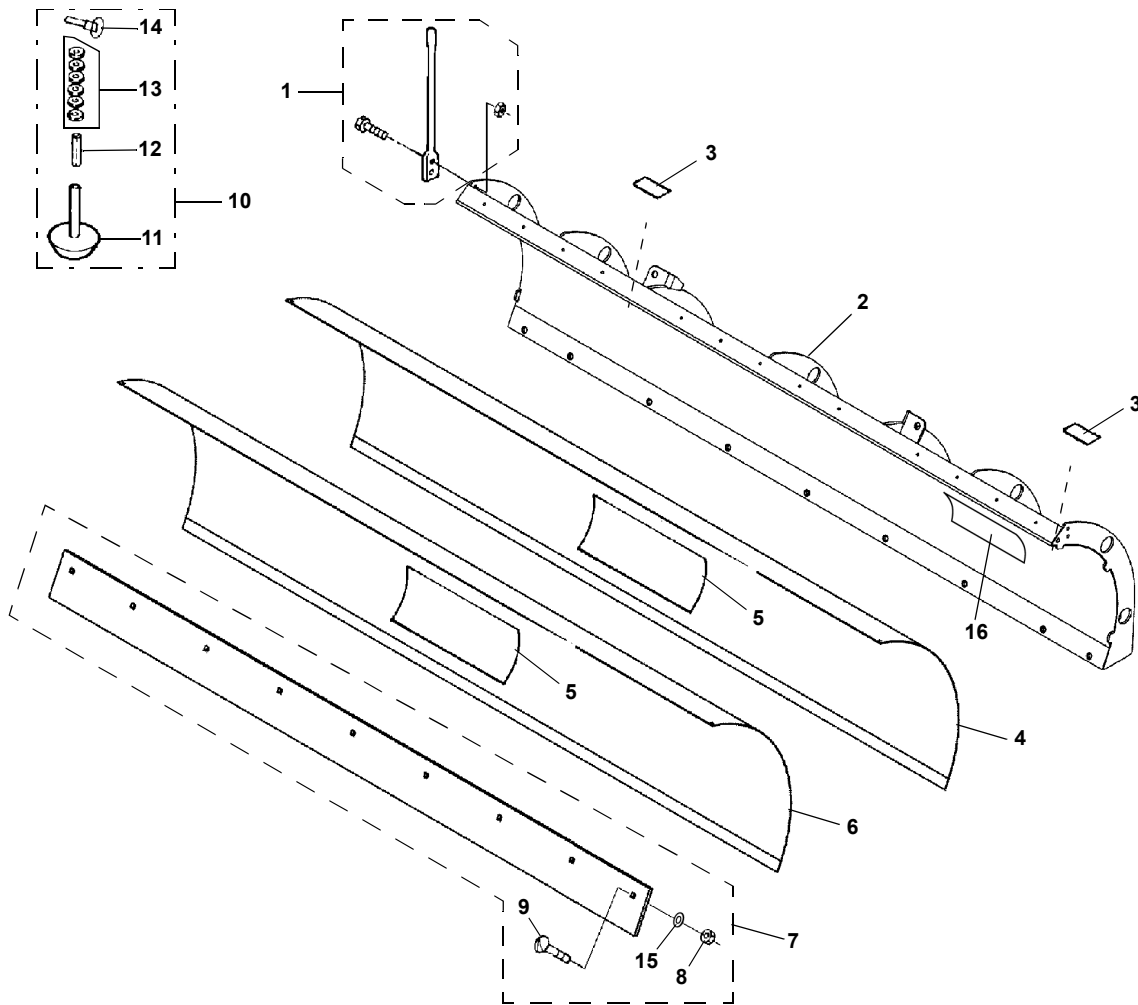
# POWER PACK FRAME (continued)



# POWER PACK FRAME (continued)

| ITEM | PART NO. | DESCRIPTION   | QTY |
|------|----------|---|-----|
| 28   | 96107767 | Clamp, Cylinder Lock, Gravity Down<br>(Use for Serial Numbers Before 26G200250) ..... | 1   |
|      | 96107768 | Clamp, Cylinder Lock, Gravity Down<br>(Use for Serial Numbers After 26G200249).....   | 1   |
|      | 96107768 | Clamp, Cylinder Lock, Down Pressure .....   | 1   |
| 29   | 98100275 | Pin, Wire Lock .....  | 1   |
| 30   | 96102168 | Spacer, Stand .....   | 1   |
| 31   | 98100007 | Pin, Clevis, 3/4" x 4" .....  | 1   |
| 32   | 98009114 | Cap Screw, Hex, 1/2"-13 x 6" .....  | 1   |
| 33   | 96106076 | Cylinder, Lift, Gravity Down<br>(Use for Serial Numbers Before 26G200250) .....       | 1   |
|      | 96106077 | Cylinder, Lift, Gravity Down<br>(Use for Serial Numbers After 26G200249).....         | 1   |
|      | 96106077 | Cylinder, Lift, Gravity Down Pressure .....   | 1   |
| 34   |          | Decal, Warning, Pinch Point .....   | 2   |
| 35   |          | Decal, Patent.....  | 1   |
| 36   | 98009027 | Cap Screw, Hex, 1/4"-20 x 1".....   | 1   |
| 37   | 98100254 | Washer, Flat, 1/4".....   | 1   |
| 38   | 96101891 | Clamp, Tube.....  | 1   |
| 39   | 98100255 | Nut, Nylock, 1/4"-20 .....  | 2   |
| 40   | 96106605 | Jackstand Assembly, 22/26/29/32 Series .....  | 1   |
| 41   | 96107711 | Kit, Jackstand Hardware<br>(Includes one ea. items 42, 43, 44, 47; two item 45) ..... | 2   |
| 42   | 98009032 | Washer, 3/8" .....  | 6   |
| 43   |          | Spring, Latch .....   | 2   |
| 44   |          | Pin, Latch .....  | 2   |
| 45   |          | Roll Pin, 5/32" x 7/8" .....  | 4   |
| 46   |          | Jackstand .....   | 1   |
| 47   |          | Cam, Jackstand .....  | 2   |
| 48   | 98100314 | Pin, Clevis, 1/2" x 3".....   | 2   |
| 49   | 98009009 | Nut, Hex Nylock, 3/8"-16 .....  | 4   |
| 50   |          | Decal, Warning.....   | 1   |
| 51   | 96110952 | Cylinder, Angle, 1-1/4" .....   | 2   |
| 52   | 96107513 | A-Frame .....   | 1   |
| 53   | 98100325 | Cap Screw, Hex, 3/4"-10 x 7" .....  | 1   |
| 54   | 98009036 | Cap Screw, Hex, 1/2"-13 x 3-1/2" .....  | 2   |
| 55   | 96108876 | End Cap, 2 x 4" .....   | 2   |
| 56   | 98100020 | Cap Screw, Hex, 3/8"-16 x 1-3/4" .....  | 2   |
| 57   | 96107395 | Kit, Cushion/Stop, Blade Trip .....   | 1   |
| 58   | 96106148 | Frame, Swing .....  | 1   |
| 59   | 98100315 | Pin, Clevis, 3/4" x 2" .....  | 2   |
| 60   | 98009078 | Nut, Hex, 5/8"-11 .....   | 4   |
| 61   | 96001392 | Spring, Trip.....   | 2   |
| 62   | 98009037 | Eye Bolt, 5/8"-11 x 6" (26 Series Only) .....   | 2   |
| 63   | 96106184 | Platform, Pump .....  | 1   |
| 64   | 98100266 | Cap Screw, Hex, 1/4"-20 x 6".....   | 1   |
| 65   | 98019176 | Screw, Flange Head, Self-Tapping, 5/16" x 1" .....                                    | 4   |
| 66   | 98019230 | Washer, Flat, 5/16".....  | 4   |
| 67   | 98009022 | Cap Screw, Hex, 3/8"-16 x 1" .....  | 2   |
| 68   | 98100323 | Nut, Hex, 3/4"-10.....  | 1   |
| 69   | 98009003 | Nut, Nylock, 3/4"-10 .....  | 1   |
| 70   | 96113472 | Kit, Cam Handle (Includes items 8,12, and 13).....                                    | 2   |
| 71   | 96102781 | Eye Bolt, 5/8"-11 x 4.97" (26R Series Only).....                                      | 2   |
| 72   | 98009030 | Washer, Flat, 5/8".....   | 4   |
| 73   | 98100264 | Cap Screw, Hex, 5/16"-18 x 2.1/4".....  | 2   |
| 74   | 98009150 | Nut, Nylock, 5/16"-18 .....   | 2   |

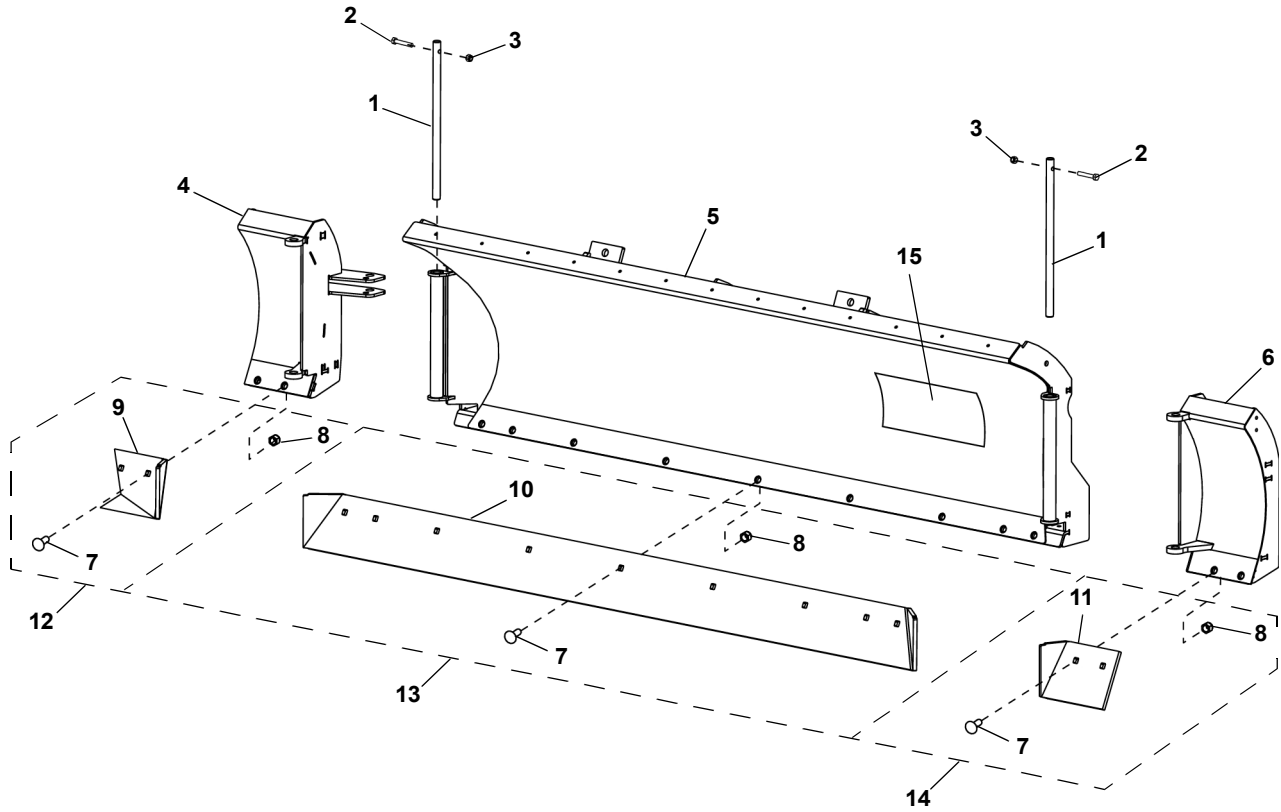
# BLADES - 26 SERIES



| ITEM | PART NO. | DESCRIPTION  | QTY |
|------|----------|--|-----|
| 1    | 96112352 | Kit, Guide, Blade (Includes 2 Guides and mounting hardware) .....                                  | 1   |
| 2    |          | Frame, 80" .....   | 1   |
|      |          | Frame, 90" .....   | 1   |
| 3    |          | Decal, Warning .....   | 2   |
| 4    | 96107647 | Kit, Skin, Polycarbonate, 80" (Includes "Sno-Way" decal)<br>(With S.N. Before 2680PCS100400) ..... | 1   |
|      | 96107648 | Kit, Skin, Polycarbonate, 90" (Includes "Sno-Way" decal)<br>(With S.N. Before 2690PCS103100) ..... | 1   |
| 5    | 97100879 | Decal, Sno-Way .....   | 1   |
| 6    | 96107555 | Blade Skin, Steel, 80" (Includes "Sno-Way" decal)<br>(With S.N. Before 2680MSS100200) .....        | 1   |
|      | 96107557 | Blade Skin, Steel, 90" (Includes "Sno-Way" decal)<br>(With S.N. Before 2690MSS101200) .....        | 1   |
| 7    | 96107649 | Kit, Wearstrip, Steel, 80" .....   | 1   |
|      | 96112726 | Kit, Wearstrip, Steel, 90" .....   | 1   |
| 8    | 98009013 | Nut, Hex., Nylock, 1/2" - 13 .....   | 9   |
| 9    | 98009171 | Bolt, Carriage, Gr. 5, 1/2"-13 x 1-1/2" .....  | 9   |
| 10   | 96102542 | Assembly, Shoe .....   | 2   |
| 11   |          | Shoe, Cast, 1" Shaft .....   | 1   |
| 12   |          | Spacer, 1" .....   | 1   |
| 13   | 98009005 | Washer, Flat, 1" .....   | 13  |
| 14   | 98100538 | Pin, Lynch, 5/16" x 1-5/8" .....   | 1   |
| 15   | 98100176 | PW, 1/2", Hardened (Used in 96112726 only) .....   | 9   |
| 16   | 97101835 | Decal, Sno-Way .....   | 1   |

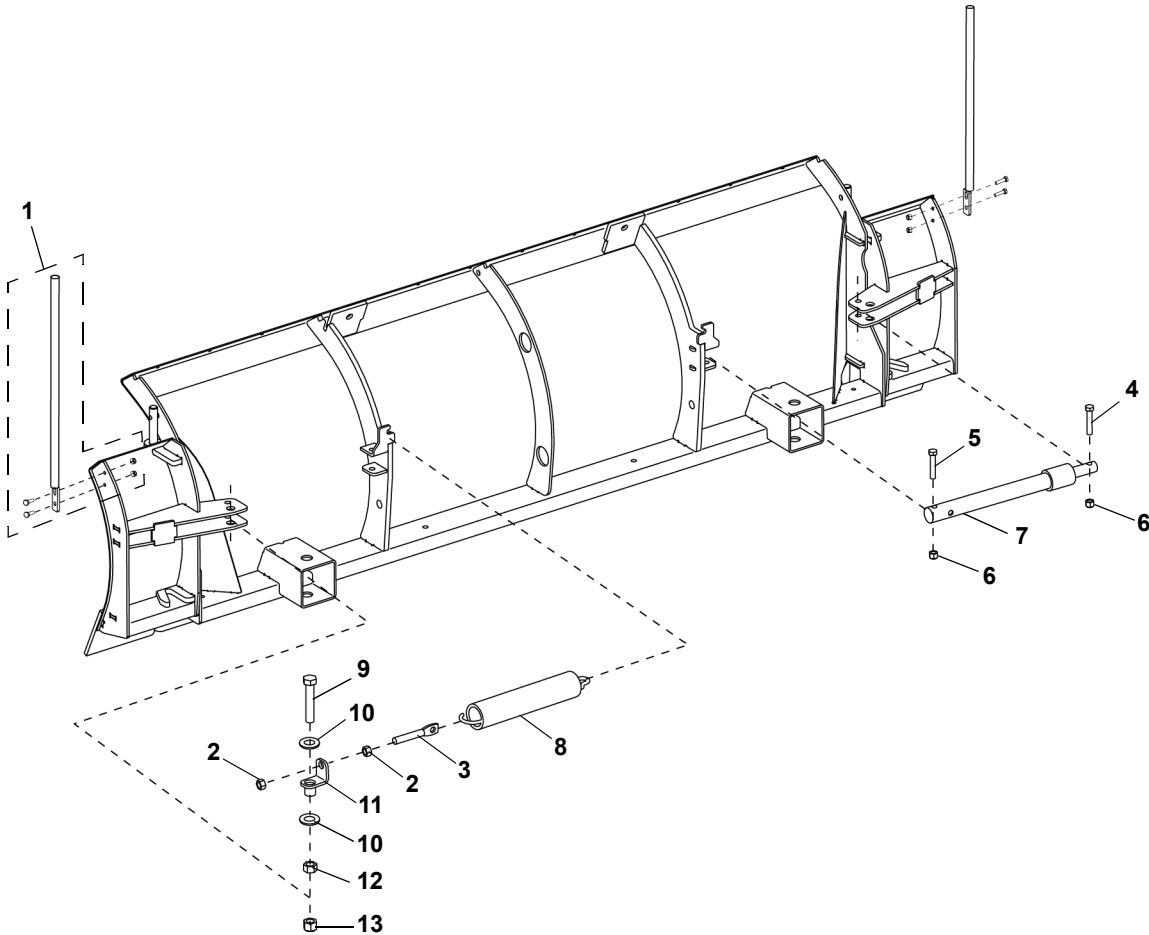


# BLADE - 26R SERIES (FRONT)



| ITEM | PART NO. | DESCRIPTION  | QTY |
|------|----------|--|-----|
| 1    | 96113803 | Hinge Pin, 26R .....                                       | 2   |
| 2    | 98100020 | HHCS, 3/8"-16 X 1-3/4" .....                               | 2   |
| 3    | 98009009 | LN, 3/8"-16, Nylon Insert .....                            | 2   |
| 4    | 96113780 | Wing, 26R, PS .....  | 1   |
| 5    |          | Main Blade, 26R.....                                       | 1   |
| 6    | 96113785 | Wing, 26R, DS.....   | 1   |
| 7    | 98009171 | CB, 1/2-13 X 1-1/2" .....                                  | 14  |
| 8    | 98009013 | LN, 1/2-13, Nylon Insert.....                              | 14  |
| 9    |          | Wearstrip, 26R, PS.....                                    | 1   |
| 10   |          | Wearstrip, Main Blade, 26R.....                            | 1   |
| 11   |          | Wearstrip, 26R, DS.....                                    | 1   |
| 12   | 96114406 | Kit, Wearstrip, 26R, PS (Includes items #7, 8, 9) .....    | 1   |
| 13   | 96114407 | Kit, Wearstrip, Main, 26R (Includes items #7, 8, 10) ..... | 1   |
| 14   | 96114405 | Kit, Wearstrip, 26R, DS (Includes items #7, 8, 11) .....   | 1   |
| 15   | 97101835 | Decal, Sno-Way.....  | 1   |

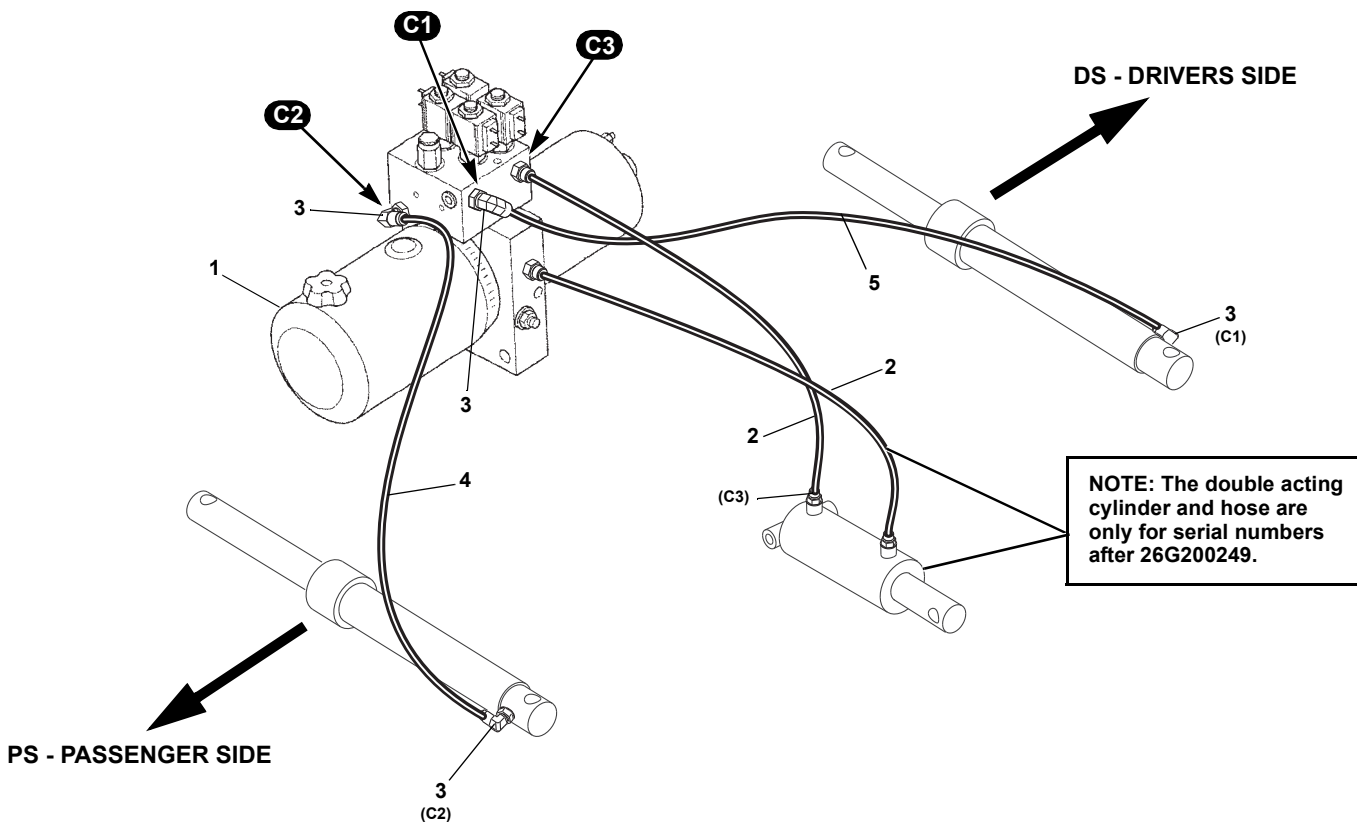
# BLADE - 26R SERIES (REAR) WING FOLD MECHANISM/GUIDES



| ITEM | PART NO. | DESCRIPTION  | QTY |
|------|----------|--|-----|
| 1    | 96112352 | Kit, Blade Guide - Yellow (Includes 2 Guides and Hardware) ..... | 2   |
| 2    | 98009078 | HN, 5/8"-11 .....  | 4   |
| 3    | 96102781 | Eye Bolt, 5/8"-11 X 4.97" .....                                  | 2   |
| 4    | 98009015 | HHCS, 1/2"-13 X 2-1/2" .....                                     | 2   |
| 5    | 98009017 | HHCS, 1/2"-13 X 3" .....   | 2   |
| 6    | 98009013 | LN, 1/2"-13, Nylon Insert .....                                  | 4   |
| 7    | 96116278 | Cylinder, 26R/29R Wing .....                                     | 2   |
| 8    | 96113232 | Spring, 26R .....  | 2   |
| 9    | 98100508 | HHCS, 3/4"-10 X 4" .....   | 2   |
| 10   | 98009030 | Washer, Flat, 3/4" .....   | 4   |
| 11   | 96114190 | Eye Bolt, Mount, 26R .....                                       | 2   |
| 12   | 98009075 | HN, 3/4"-10 .....  | 2   |
| 13   | 98009003 | LN, 3/4"-10, Nylon Insert .....                                  | 2   |

# HYDRAULIC SYSTEM - 26 SERIES GRAVITY DOWN

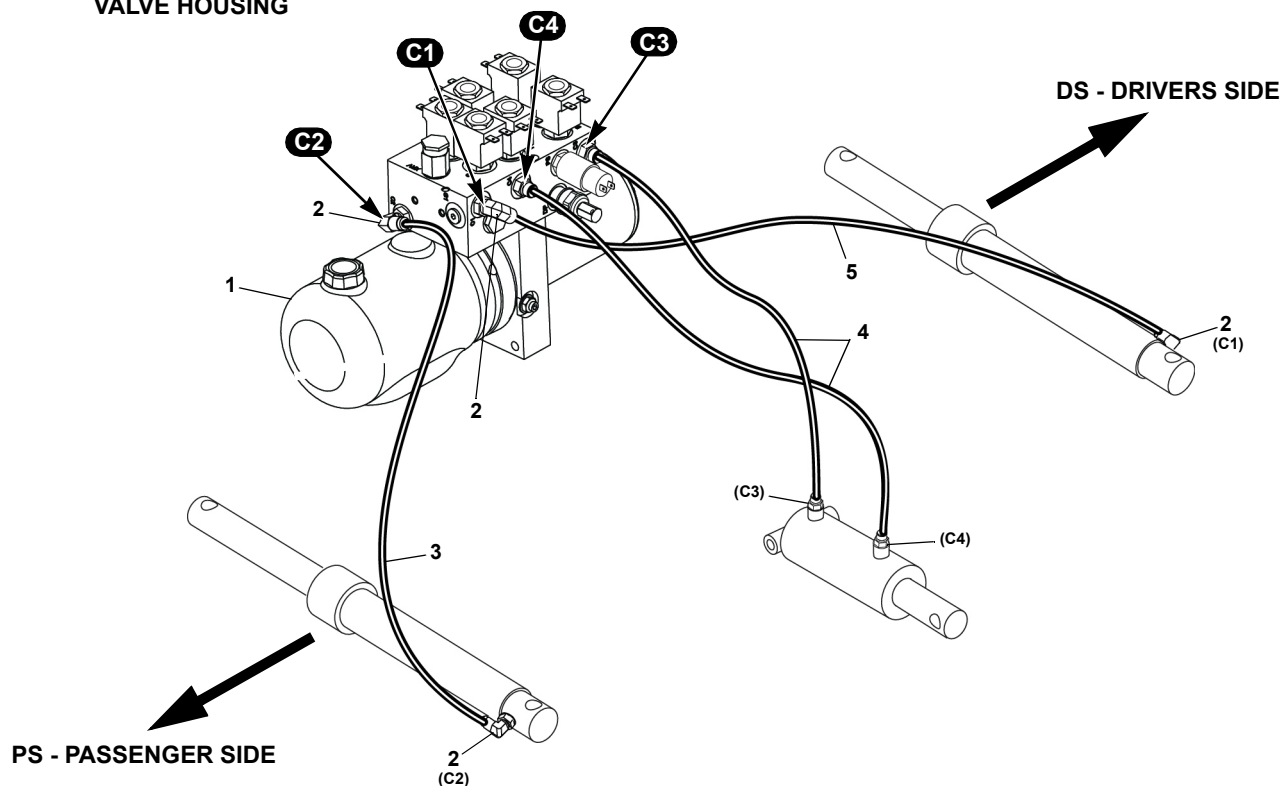
**C#** DENOTES PORT IN VALVE HOUSING



| ITEM | PART NO. | DESCRIPTION   | QTY |
|------|----------|---|-----|
| 1    |          | Power Unit, Gravity Down (See page 13 for parts breakdown)..... | 1   |
| 2    | 96106069 | Hose, Hydraulic, 18-3/4".....                                   | 2   |
| 3    | 96100001 | Fitting, Elbow, 90°.....  | 3   |
| 4    | 96113791 | Hose, Hydraulic, 27-1/2".....                                   | 1   |
| 5    | 96106071 | Hose, Hydraulic, 32".....                                       | 1   |

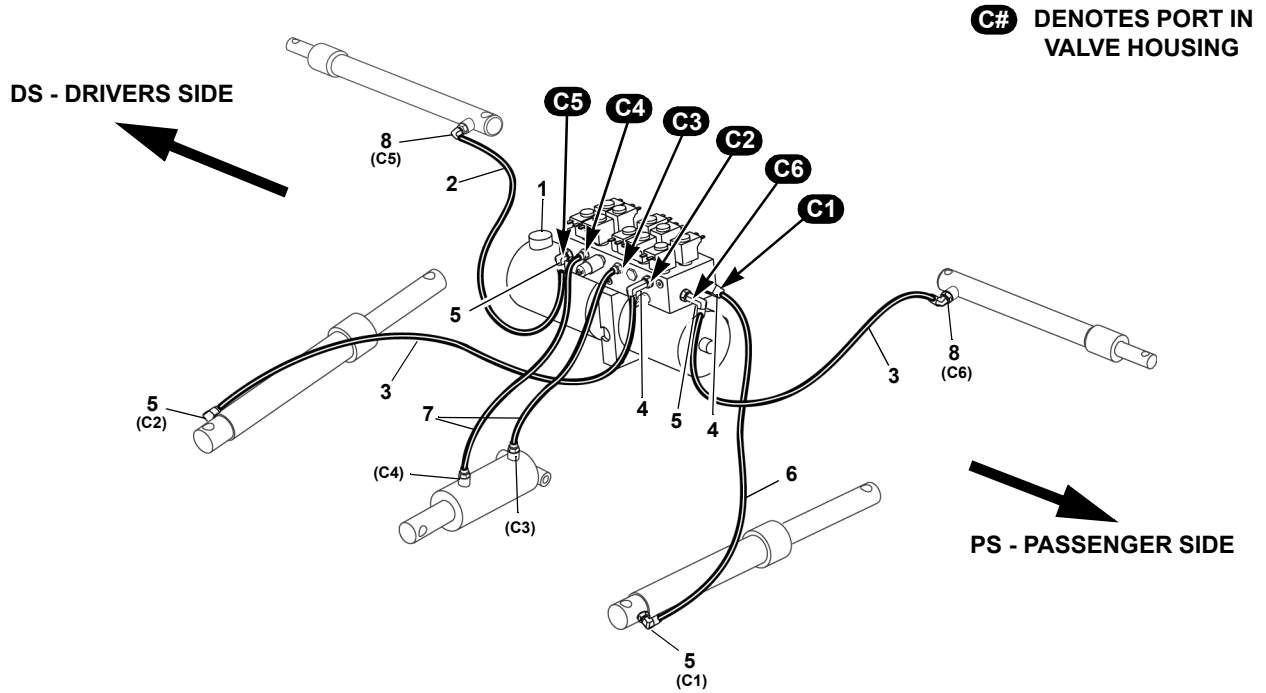
# HYDRAULIC SYSTEM - 26 SERIES DOWN PRESSURE

**C#** DENOTES PORT IN VALVE HOUSING



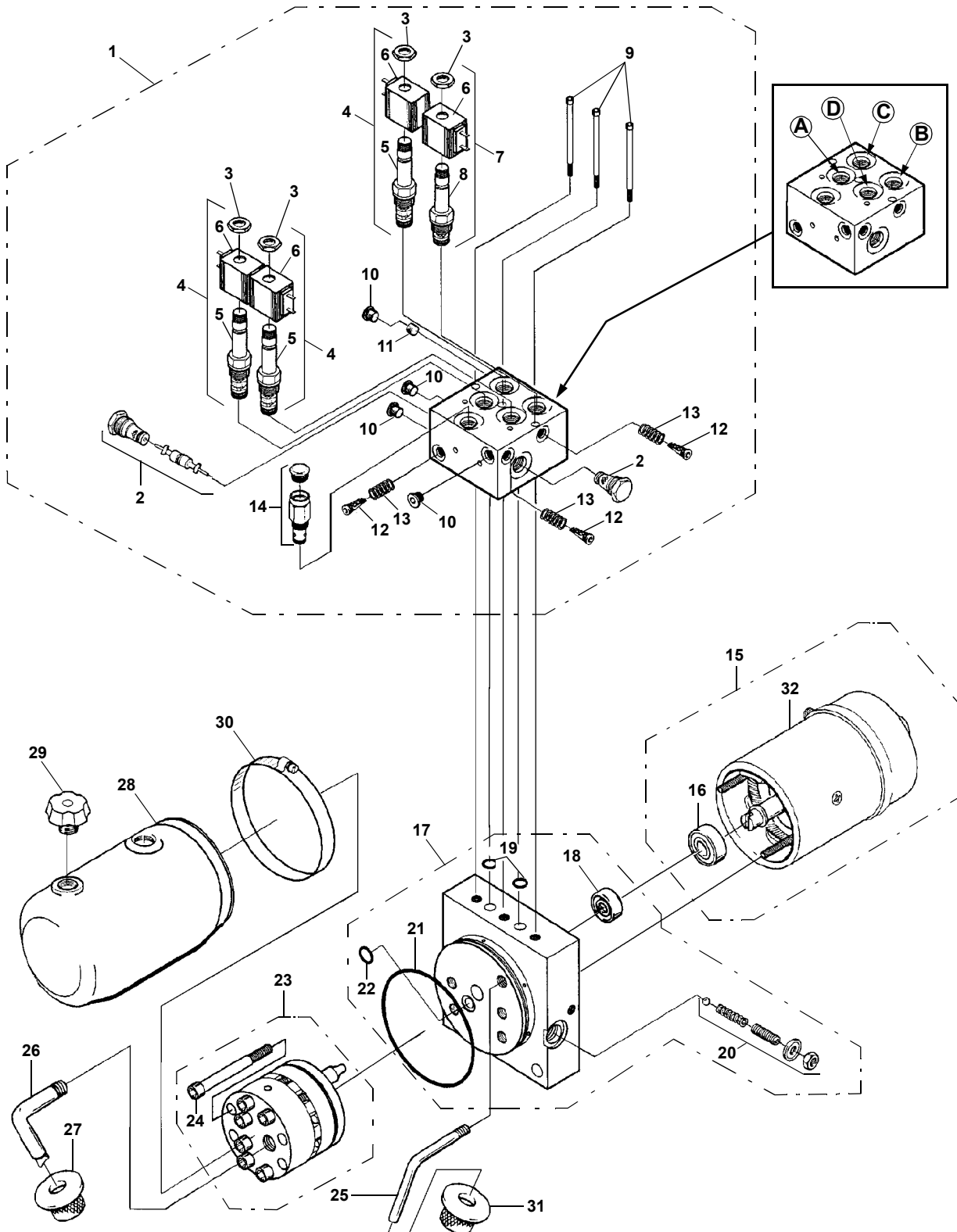
| ITEM | PART NO. | DESCRIPTION  | QTY |
|------|----------|--|-----|
| 1    |          | Power Unit, DP (See page 17 for parts breakdown) ..... | 1   |
| 2    | 9610001  | Fitting, Elbow, 90° .....                              | 4   |
| 3    | 96113791 | Hose, Hydraulic, 27-1/2" .....                         | 1   |
| 4    | 96106069 | Hose, Hydraulic, 18-3/4" .....                         | 2   |
| 5    | 96106071 | Hose, Hydraulic, 32" .....                             | 1   |

# HYDRAULIC SYSTEM - 26R SERIES



| ITEM | PART NO. | DESCRIPTION   | QTY |
|------|----------|---|-----|
| 1    |          | Power Unit (See page 19 for parts breakdown).....     | 1   |
| 2    | 96114395 | Hose, Hydraulic, 37", DS (Valve Port #C5).....        | 1   |
| 3    | 96106071 | Hose, Hydraulic, 32", (Valve Port #C2 And C6).....    | 2   |
| 4    | 96112893 | Fitting, Elbow, 90°, Double Length .....              | 2   |
| 5    | 96100001 | Fitting, Elbow, 90° .....                             | 4   |
| 6    | 96100004 | Hose, Hydraulic, 24" (Valve Port #C1).....            | 1   |
| 7    | 96106069 | Hose, Hydraulic, 18-3/4" (Valve Port #C3 And C4)..... | 2   |
| 8    | 96100003 | Fitting, Elbow, 45° .....                             | 2   |

# HYDRAULIC POWER UNIT - 26 SERIES GRAVITY DOWN SYSTEM



# HYDRAULIC POWER UNIT - 26 SERIES

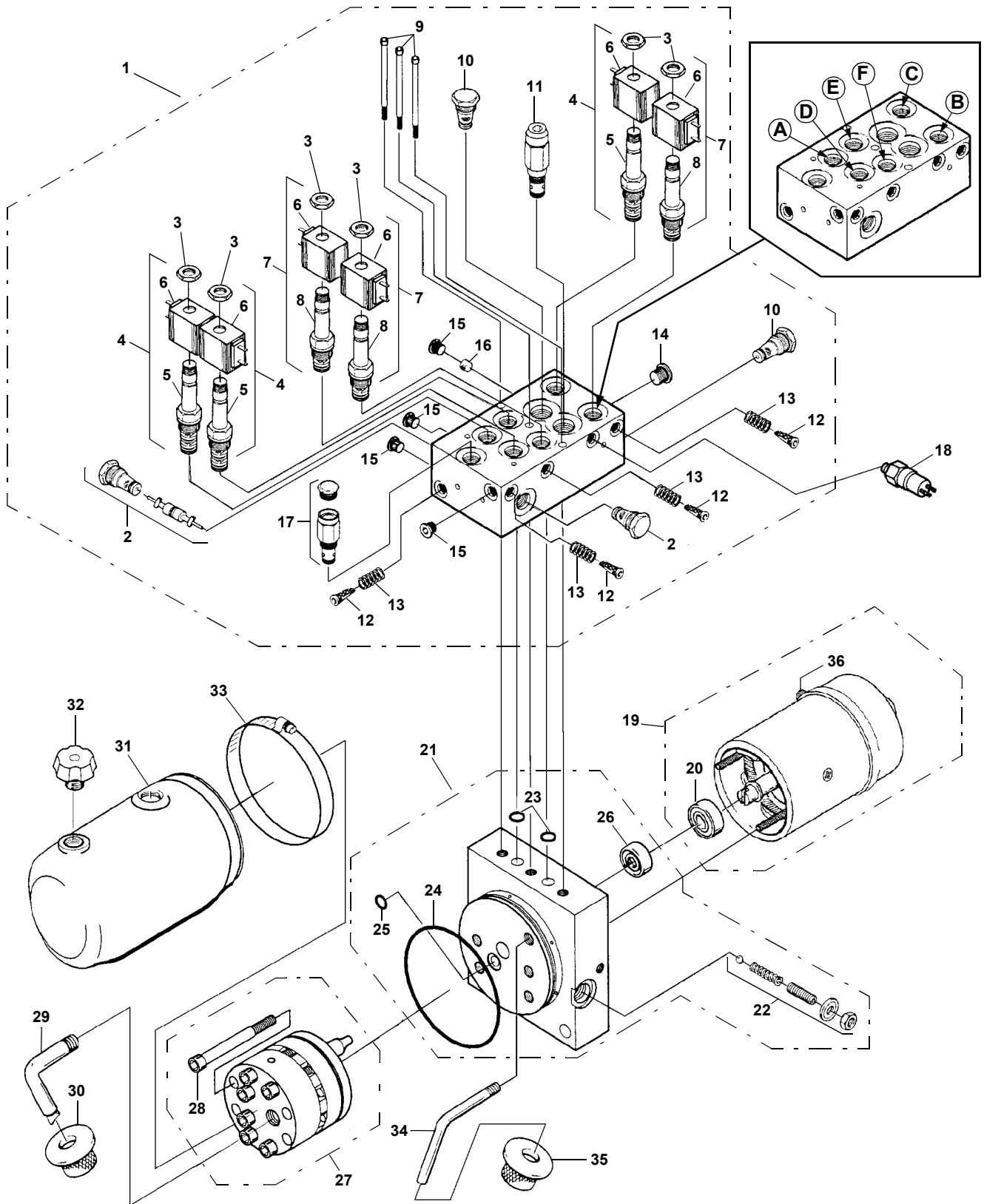
## GRAVITY DOWN SYSTEM

| ITEM | PART NO. | DESCRIPTION  | QTY |
|------|----------|--|-----|
| 1    |          | Valve Assembly .....   | 1   |
| 2    | 96112948 | Valve, Check .....   | 1   |
| 3    | 96105275 | Nut, Coil Retaining .....  | 4   |
| 4    |          | Valve, 10V DC (Red Coil) - Use part 96112584 .....               | 3   |
|      | 96112584 | Kit, Valve, 3-Way, 10V DC (Includes items #3, 5 & 6) .....       | 3   |
| 5    | 96108324 | Cartridge, 3-Way, (Black Coil) .....                             | 3   |
|      | 96112584 | Cartridge, 3-Way, (Red Coil) .....                               | 3   |
| 6    | 96111171 | Coil, 10V DC .....   | 4   |
| 7    |          | Valve, 10V DC (Red Coil) - Use part 96112583 .....               | 1   |
|      | 96112583 | Kit, Valve, 2-Way, 10V DC (Includes items #3, 6 & 8) .....       | 1   |
| 8    | 96108325 | Cartridge, 2-Way (Blue or Black Coil) .....                      | 1   |
|      | 96112583 | Cartridge, 2-Way (Red Coil) .....                                | 1   |
| 9    | 96105237 | Screw .....  | 3   |
| 10   | 96105234 | Fitting, Plug .....  | 4   |
| 11   | 96105255 | Fitting, Orifice .....   | 1   |
|      | 96108627 | Kit, Orifice (to adjust drop rate) .....                         | 1   |
| 12   | 96105250 | Screen, Inline .....   | 3   |
| 13   | 96105251 | Spring, Retaining .....  | 3   |
| 14   | 96105243 | Valve, Relief, Crossover (2000 psi) .....                        | 1   |
| 15   | 96106802 | Motor, 12V DC .....  | 1   |
| 16   |          | Bearing, Motor Base .....  | 1   |
| 17   |          | Base Assembly, Pump .....  | 1   |
| 18   | 96105317 | Seal, Shaft .....  | 1   |
| 19   | 96105314 | O-Ring .....   | 2   |
| 20   | 96105313 | Kit, System Relief Valve .....                                   | 1   |
| 21   | 96105315 | O-Ring .....   | 1   |
| 22   | 96105316 | O-Ring .....   | 1   |
| 23   | 96105248 | Pump Assembly .....  | 1   |
| 24   |          | Screw, Socket Head Cap .....                                     | 4   |
| 25   | 96105249 | Tube, Return (For S.N. Before 26G200150) .....                   | 1   |
|      | 96114440 | Tube, Return, 45°, 3/8" NPT (For S.N. 26G200150 and After) ..... | 1   |
| 26   | 96105246 | Tube, Suction .....  | 1   |
| 27   | 96105245 | Filter, Suction .....  | 1   |
| 28   | 96105241 | Reservoir .....  | 1   |
| 29   | 96105244 | Filler Cap .....   | 1   |
| 30   | 96105231 | Clamp .....  | 1   |
| 31   | 96105318 | Filter, Return (For S.N. Before 26G200150) .....                 | 1   |
|      | 96105245 | Filter (For S.N. 26G200150 and After) .....                      | 1   |
| 32   | 96106803 | Brush, Replacement Kit .....                                     | 1   |

# HYDRAULIC POWER UNIT - 26 SERIES

## DOWN PRESSURE SYSTEM

### With S.N. Before: 26D202104





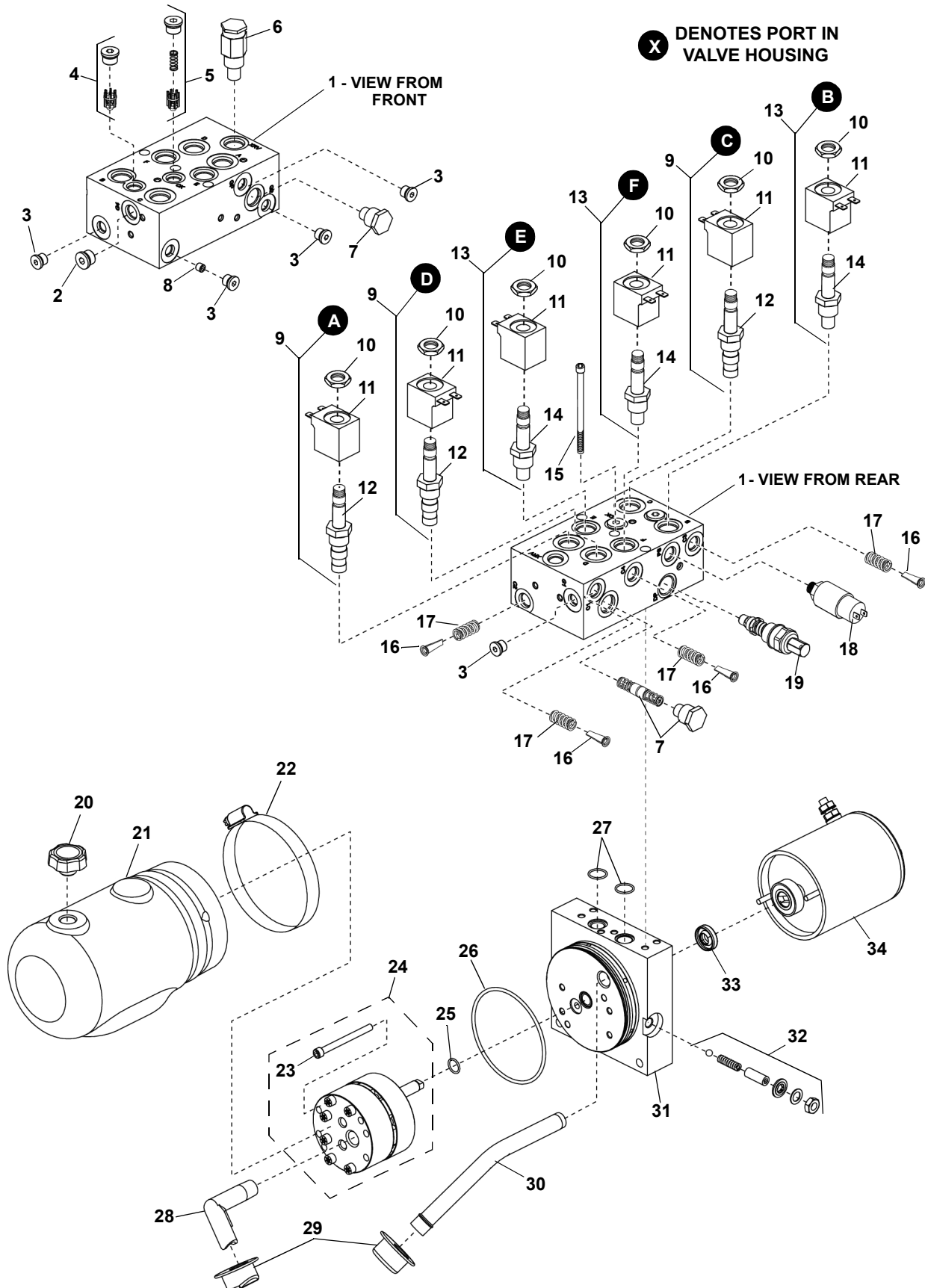
**HYDRAULIC POWER UNIT - 26 SERIES**  
**DOWN PRESSURE SYSTEM**  
**With S.N. Before: 26D204104**

| ITEM | PART NO. | DESCRIPTION   | QTY |
|------|----------|---|-----|
| 1    |          | Valve Assembly .....                                      | 1   |
| 2    | 96112948 | Valve, Check .....  | 1   |
| 3    | 96105275 | Nut, Coil Retaining .....                                 | 6   |
| 4    |          | Valve, 10V DC (Red Coil) - Use part 96112584 .....        | 3   |
|      | 96112584 | Kit, Valve, 3-Way, 10V DC (Includes items 3, 5 & 6) ..... | 3   |
| 5    | 96108324 | Cartridge, 3-Way (Black Coil) .....                       | 3   |
|      | 96112584 | Cartridge, 3-Way (Red Coil) .....                         | 3   |
| 6    | 96111171 | Coil, 10V DC .....  | 6   |
| 7    |          | Valve, 10V DC (Red Coil) - Use part 96112583 .....        | 3   |
|      | 96112583 | Kit, Valve, 2-Way, 10V DC (Includes items 3, 6 & 8) ..... | 3   |
| 8    | 96108325 | Cartridge, 2-Way (Blue or Black Coil) .....               | 3   |
|      | 96112583 | Cartridge, 2-Way (Red Coil) .....                         | 3   |
| 9    | 96105237 | Screw .....   | 3   |
| 10   | 96105238 | Valve, Check .....  | 2   |
| 11   | 96105253 | Valve, Relief, Down Pressure (460-500 psi) .....          | 1   |
| 12   | 96105250 | Screen, Inline .....                                      | 4   |
| 13   | 96105251 | Spring, Retaining .....                                   | 4   |
| 14   | 96105240 | Fitting, Plug .....                                       | 2   |
| 15   | 96105234 | Fitting, Plug .....                                       | 4   |
| 16   | 96106103 | Fitting, Orifice .....                                    | 1   |
|      | 96108627 | Kit, Orifice (to adjust drop rate) .....                  | 1   |
| 17   | 96105243 | Valve, Relief, Crossover (2000 psi) .....                 | 1   |
| 18   | 96101976 | Switch, Pressure (325 psi) .....                          | 1   |
| 19   | 96106802 | Motor, 12V DC .....                                       | 1   |
| 20   |          | Bearing, Motor Base .....                                 | 1   |
| 21   |          | Base Assembly, Pump .....                                 | 1   |
| 22   | 96105313 | Kit, System Relief Valve .....                            | 1   |
| 23   | 96105314 | O-Ring .....  | 2   |
| 24   | 96105315 | O-Ring .....  | 1   |
| 25   | 96105316 | O-Ring .....  | 1   |
| 26   | 96105317 | Seal, Shaft .....   | 1   |
| 27   | 96105248 | Pump Assembly .....                                       | 1   |
| 28   |          | Screw, Socket Head Cap .....                              | 4   |
| 29   | 96105246 | Tube, Suction .....                                       | 1   |
| 30   | 96105245 | Filter .....  | 1   |
| 31   | 96105241 | Reservoir .....   | 1   |
| 32   | 96105244 | Filler Cap .....  | 1   |
| 33   | 96105231 | Clamp .....   | 1   |
| 34   | 96105249 | Tube, Return .....  | 1   |
| 35   | 96105318 | Filter, Return .....                                      | 1   |
| 36   | 96106803 | Brush Replacement Kit .....                               | 2   |

# HYDRAULIC POWER UNIT - 26 SERIES

## DOWN PRESSURE SYSTEM

With S.N. After: 26D202105



# HYDRAULIC POWER UNIT - 26 SERIES

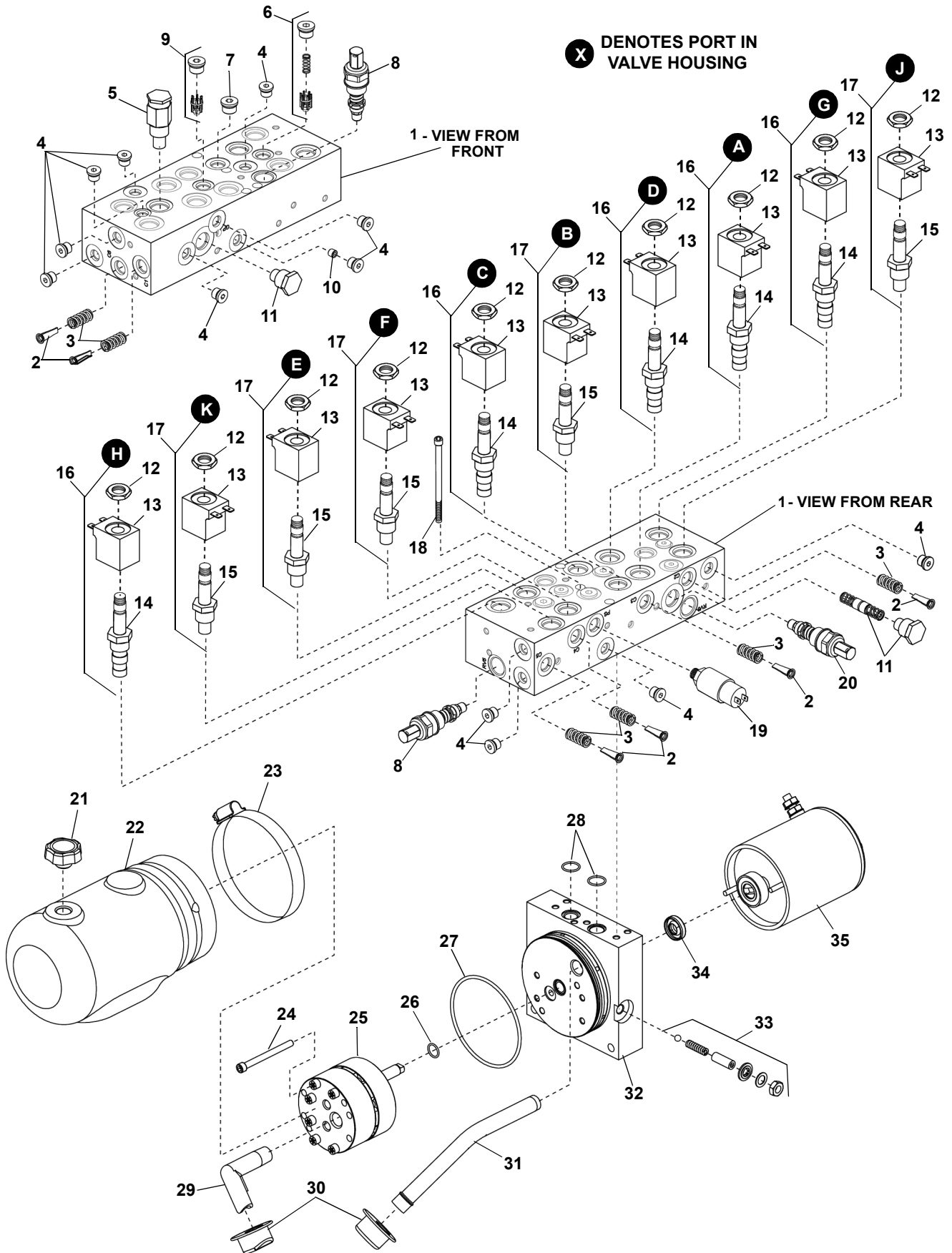
## DOWN PRESSURE SYSTEM

### With S.N. After: 26D204105

| ITEM | PART NO. | DESCRIPTION   | QTY |
|------|----------|---|-----|
| 1    |          | Valve Housing.....  | 1   |
| 2    | 96105240 | Plug, SAE O-Ring, 9/16"-18 .....  | 3   |
| 3    | 96105234 | Plug, SAE O-Ring, 7/16"-20 .....  | 5   |
| 4    | 96114438 | Poppet, Check (Float Circuit - without Spring).....                                       | 1   |
| 5    | 96114413 | Kit, Poppet Check and Spring.....   | 1   |
| 6    | 96105243 | Valve, Relief, Crossover (2000 psi) .....   | 1   |
| 7    | 96112948 | Kit, Check Valve (Includes 2 Check Valves,<br>Piston Assembly and 2 Springs Per Kit)..... | 2   |
| 8    | 96105422 | Plug, Orifice, 0.0468 Dia.....  | 1   |
| 9    | 96112584 | Kit, Valve 3-Way, 10VDC (Includes 10, 11, 12) .....                                       | 3   |
| 10   | 96105275 | Nut, Coil.....  | 6   |
| 11   | 96111171 | Coil, 10 VDC.....   | 6   |
| 12   | 96108324 | Cartridge, 3W/2P .....  | 3   |
| 13   | 96112583 | Kit, Valve 2-Way, 10VDC (Includes 10, 11, 14) .....                                       | 3   |
| 14   | 96108325 | Cartridge, 2W/2P, NC, Poppet.....   | 3   |
| 15   | 96105237 | Screw, Socket Head, 1/4"-20 X 3" .....  | 3   |
| 16   | 96105250 | Filter Screen, Pressure Ports .....   | 4   |
| 17   | 96105251 | Spring, Retaining, Port Filter.....   | 4   |
| 18   | 96101976 | Switch, Pressure (325 psi).....   | 1   |
| 19   | 96114446 | Valve, Relief, Down Pressure (460-500 psi).....   | 1   |
| 20   | 96105244 | Plug, Breather.....   | 1   |
| 21   | 96105241 | Reservoir, Plastic.....   | 1   |
| 22   | 96105231 | Clamp .....   | 1   |
| 23   |          | SHCS.....   | 4   |
| 24   | 96105248 | Pump Assembly (Includes item 23).....   | 1   |
| 25   | 96105316 | O-Ring, 1/2" X 5/8" X 1/16".....  | 1   |
| 26   | 96105315 | O-Ring, 3-5/8" X 3-7/8" X 1/8" .....  | 1   |
| 27   | 96105314 | O-Ring, 5/8" X 3/4" X 1/16".....  | 2   |
| 28   | 96105246 | Tube, Suction, 90°, 3/8" NPT .....  | 1   |
| 29   | 96105245 | Filter Screen .....   | 2   |
| 30   | 96114440 | Tube, Return, 45°, 3/8" NPT .....   | 1   |
| 31   |          | Base, Pump .....  | 1   |
| 32   | 96105313 | Kit, System Relief Valve .....  | 1   |
| 33   | 96105317 | Seal, Shaft.....  | 1   |
| 34   | 96106802 | Motor, 12VDC .....  | 1   |
| 35   | 96108627 | Kit, Orifice (To adjust drop rate) (Not shown) .....                                      | 1   |

# HYDRAULIC POWER UNIT - 26R SERIES

With S.N. After: 26R100000



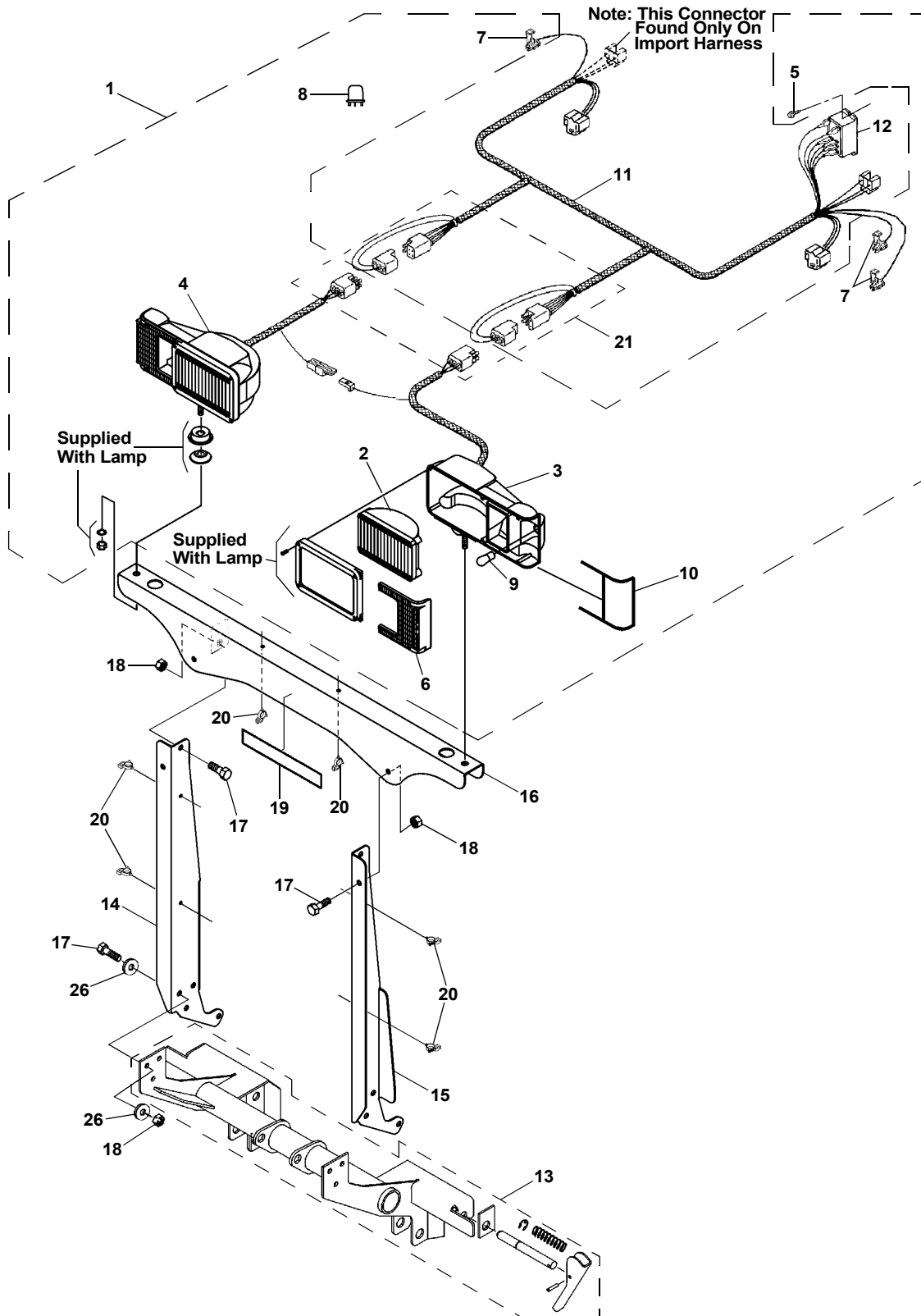
# HYDRAULIC POWER UNIT - 26R SERIES

## With S.N. After: 26R100000

| ITEM | PART NO. | DESCRIPTION   | QTY |
|------|----------|---|-----|
| 1    |          | Housing, Valve .....  | 1   |
| 2    | 96105250 | Filter Screen, Pressure Ports.....  | 6   |
| 3    | 96105251 | Spring, Retaining, Port Filter.....   | 6   |
| 4    | 96105234 | Plug, SAE O-Ring, 7/16"-20 .....  | 12  |
| 5    | 96105243 | Valve, Relief, Crossover (2000 psi).....  | 1   |
| 6    | 96114413 | Poppet, Check (With Spring) .....   | 1   |
| 7    | 96105240 | Plug, SAE O-Ring, 9/16"-18 .....  | 3   |
| 8    | 96114409 | Valve, Wing Relief (1000 psi).....  | 2   |
| 9    | 96114438 | Poppet Check (Float Circuit - without Spring).....  | 1   |
| 10   | 96106100 | Plug, Orifice, #50 .....  | 1   |
| 11   | 96112948 | Kit, Check Valve, Deltro (Includes 2 Check Valves,<br>1 Piston Assembly and 2 Springs)..... | 1   |
| 12   | 96105275 | Nut, Coil.....  | 10  |
| 13   | 96111171 | Coil, 10VDC.....  | 10  |
| 14   | 96108324 | Cartridge, 3W/2P, #8, Hi-Flow .....   | 5   |
| 15   | 96108325 | Cartridge, 2W/2P, NC, Poppet.....   | 5   |
| 16   | 96112584 | Kit, Valve, 3-Way, 10 VDC (Includes items #12, 13, 14).....                                 | 5   |
| 17   | 96112583 | Kit, Valve, 2-Way, 10VDC (Includes items #12, 13, 15).....                                  | 5   |
| 18   | 96105237 | Screw, Socket Head, 1/4"-20 X 2-3/4" .....  | 3   |
| 19   | 96101976 | Switch, Pressure (325 psi).....   | 1   |
| 20   | 96114446 | Valve, Relief, Down Pressure (460-500 PSI).....   | 1   |
| 21   | 96105244 | Plug, Breather .....  | 1   |
| 22   | 96105241 | Reservoir, Plastic.....   | 1   |
| 23   | 96105231 | Clamp .....   | 1   |
| 24   |          | SHCS .....  | 4   |
| 25   | 96105735 | Pump Assembly.....  | 1   |
| 26   | 96105316 | O-Ring, 1/2" X 5/8" X 1/16".....  | 1   |
| 27   | 96105315 | O-Ring, 3-5/8" X 3-7/8" X 1/8" .....  | 1   |
| 28   | 96105314 | O-Ring, 5/8" X 3/4" X 1/16".....  | 2   |
| 29   | 96105737 | Tube, Suction, 90°, 3/8" NPT .....  | 1   |
| 30   | 96105245 | Filter Screen .....   | 2   |
| 31   | 96114440 | Tube, Return, 45°, 3/8" NPT .....   | 1   |
| 32   |          | Base, Pump .....  | 1   |
| 33   | 96105313 | Kit, Relief Valve.....  | 1   |
| 34   | 96105317 | Seal, Shaft .....   | 1   |
| 35   | 96105233 | Motor, 12VDC, 4.5" .....  | 1   |

# AUXILIARY LIGHTS

S.N. : 26D100000 - 26D100149



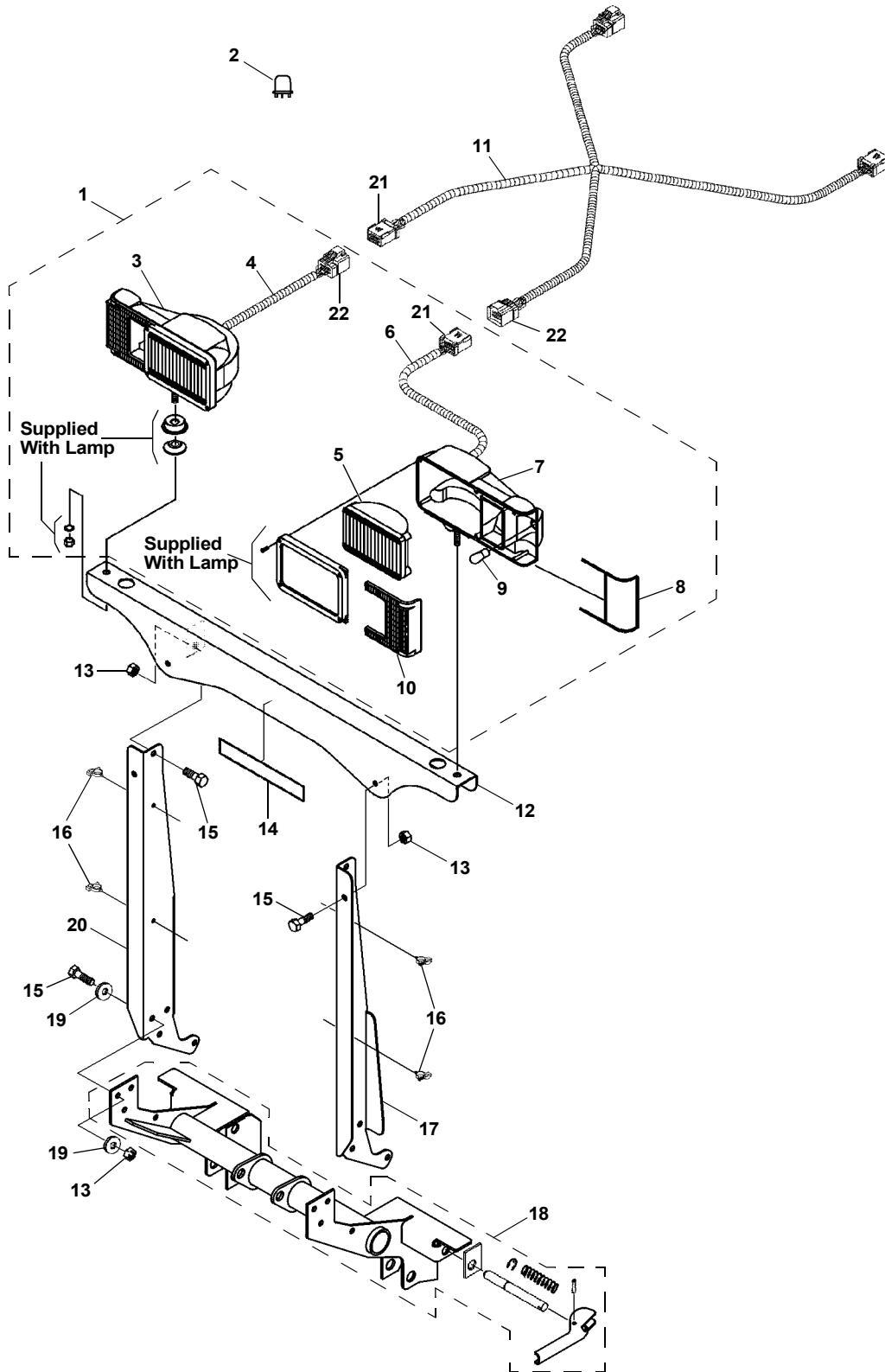
# AUXILIARY LIGHTS

## S.N. : 26D100000 - 26D100149

| ITEM | PART NO. | DESCRIPTION                                  | QTY |
|------|----------|--|-----|
| 1    | 96106606 | Kit, Lamp .....                              | 1   |
| 2    | 96100514 | Lamp, Sealed Beam.....                       | 2   |
| 3    | 96106690 | Light, Assembly, LH .....                    | 1   |
| 4    | 96106691 | Light, Assembly, RH.....                     | 1   |
| 5    | 98100037 | Screw, Self Tapping #10-16 x 1" .....        | 2   |
| 6    | 96106692 | Lens, Turn Signal .....                      | 2   |
| 7    | 96002039 | Scotch Lock™ Connector .....                 | 3   |
| 8    | 96003010 | Flasher .....                                | 1   |
| 9    | 96003060 | Lamp, Park & Turn .....                      | 2   |
| 10   | 96106693 | Gasket, Turn Signal.....                     | 2   |
| 11   | 99100196 | Harness, Wiring, Standard .....              | 1   |
|      | 99100197 | Harness, Wiring, Import .....                | 1   |
| 12   | 96101536 | Relay, DPDT .....                            | 1   |
| 13   | 96107551 | Assembly, Light/Lift Bar, Quick-Attach ..... | 1   |
| 14   | 96108631 | Support, RH .....                            | 1   |
| 15   | 96108630 | Support, LH .....                            | 1   |
| 16   | 96108030 | Assy., Light Bar .....                       | 1   |
| 17   | 98009022 | Capscrew, Hex., 3/8"-16 x 1" .....           | 10  |
| 18   | 98009009 | Nut, Hex., Nylock, 3/8"-16 .....             | 10  |
| 19   | 97100882 | Decal, Sno-Way .....                         | 1   |
| 20   | 96100440 | Clip, Rosebud.....                           | 6   |
| 21   | 96102116 | KIT, PLUG REPAIR .....                       | 1   |
| 22   |          | Connector, Male End .....                    | 2   |
| 23   |          | Connector, Female End .....                  | 2   |
| 24   |          | Connector, Butt .....                        | 24  |
| 25   |          | Tube, Shrink .....                           | 24  |
| 26   | 98009032 | Washer, Flat, 3/8" .....                     | 6   |

# AUXILIARY LIGHTS

S.N. BETWEEN: 26D100150-26D201115, 26G100000-26G200077





# AUXILIARY LIGHTS

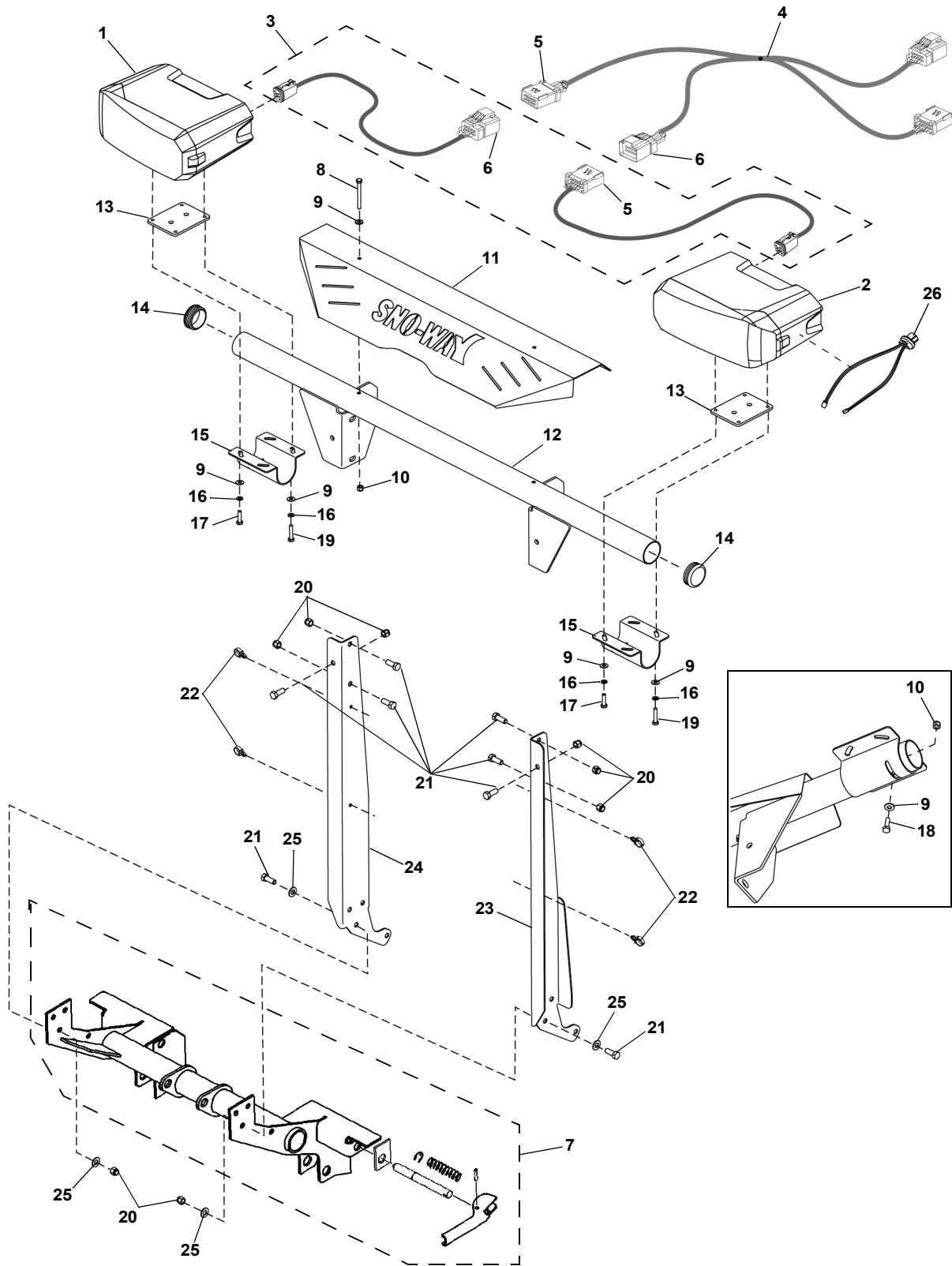
**S.N. BETWEEN: 26D100150-26D201115, 26G100000-26G200077**

| ITEM | PART NO. | DESCRIPTION                                 | QTY |
|------|----------|---|-----|
| 1    | 96107893 | Kit, Lamp, EIS.....                         | 1   |
| 2    | 96003010 | Flasher.....                                | 1   |
| 3    | 96107984 | Light, Assembly, RH, EIS .....              | 1   |
| 4    | 96107986 | Harness, Plow Light, RH, EIS.....           | 1   |
| 5    | 96100514 | Lamp, Sealed Beam .....                     | 2   |
| 6    | 96107985 | Harness, Plow Light, LH, EIS .....          | 1   |
| 7    | 96107983 | Light, Assembly, LH, EIS .....              | 1   |
| 8    | 96106693 | Gasket, Turn Signal .....                   | 2   |
| 9    | 96003060 | Lamp, Park & Turn.....                      | 2   |
| 10   | 96106692 | Lens, Turn Signal.....                      | 2   |
| 11   | 96115630 | Harness, Main Light, EIS* .....             | 1   |
| 12   | 96108030 | Assy., Light Bar.....                       | 1   |
| 13   | 98009009 | Nut, Hex., Nylock, 3/8"-16 .....            | 12  |
| 14   | 97100882 | Decal, Sno-Way.....                         | 1   |
| 15   | 98009022 | Capscrew, Hex., 3/8"-16 x 1" .....          | 12  |
| 16   | 96100440 | Clip, Rosebud .....                         | 4   |
| 17   | 96108630 | Support, LH .....                           | 1   |
| 18   | 96107551 | Assembly, Light/Lift Bar, Quick-Attach..... | 1   |
| 19   | 98009032 | Washer, Flat, 3/8" .....                    | 8   |
| 20   | 96108631 | Support, RH.....                            | 1   |
| 21   | 96108116 | Connector, Male .....                       | 2   |
| 22   | 96108117 | Connector, Female .....                     | 2   |

**\* NOTE: Adapter required. See Application Guide**

# AUXILIARY LIGHTS

S.N. AFTER: 26D201115, 26G200077, 26R100000

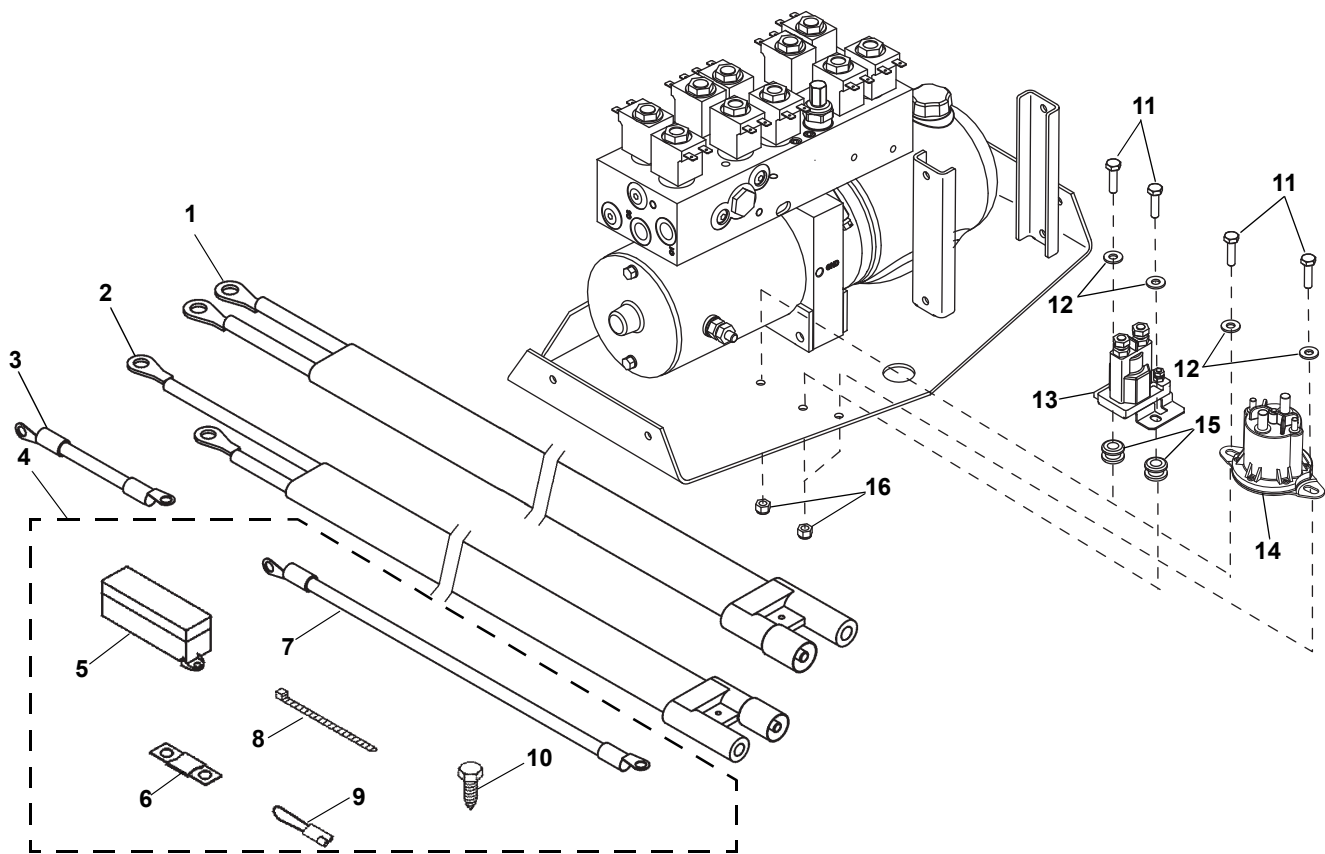


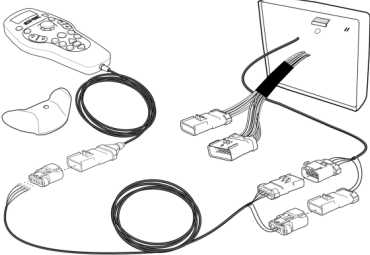
# AUXILIARY LIGHTS

## S.N. AFTER: 26D201115, 26G200077, 26R100000

| ITEM | PART NO. | DESCRIPTION                                  | QTY |
|------|----------|--|-----|
| 1    | 96113768 | Light Assembly, Composite, PS, EIS .....     | 1   |
| 2    | 96113767 | Light Assembly, Composite, DS, EIS .....     | 1   |
| 3    | 96110260 | Kit, Harness, Plow Light, EIS .....          | 1   |
| 4    | 96115630 | Harness, Main Light, EIS .....               | 1   |
| 5    | 96108116 | Connector, Male .....                        | 2   |
| 6    | 96108117 | Connector, Female .....                      | 2   |
| 7    | 96107551 | Assembly, Light/Lift Bar, Quick-Attach ..... | 1   |
| 8    | 98100049 | Capscrew, Hex., 1/4"-20 x 2-1/2", SS.....    | 2   |
| 9    | 98100240 | Washer, Flat, 1/4", SS .....                 | 12  |
| 10   | 98100336 | Nut, Hex., Nylock, 1/4"-20, SS .....         | 2   |
| 11   | 96113645 | Plate, Sno-Way, Front .....                  | 1   |
| 12   | 96113690 | Weldment, Upper Light Bar .....              | 1   |
| 13   | 96113649 | Isolator, Rubber .....                       | 2   |
| 14   | 96108873 | End Cap, 2" .....                            | 2   |
| 15   | 96113583 | Bracket, Light Assembly.....                 | 2   |
| 16   | 98009226 | Washer, Lock, 1/4", SS .....                 | 4   |
| 17   | 98100129 | Capscrew, Hex., 1/4"-20 x 1", SS.....        | 4   |
| 18   | 98100343 | Capscrew, Hex., 1/4"-20 x 7/8", SS.....      | 2   |
| 19   | 98100335 | Capscrew, Hex., 1/4"-20 x 1-1/4", SS.....    | 4   |
| 20   | 98009009 | Nut, Hex., Nylock, 3/8"-16 .....             | 14  |
| 21   | 98009022 | Capscrew, Hex., 3/8"-16 x 1".....            | 14  |
| 22   | 96100440 | Clip, Rosebud.....                           | 4   |
| 23   | 96108630 | Support, DS.....                             | 1   |
| 24   | 96108631 | Support, PS.....                             | 1   |
| 25   | 98009032 | Washer, Flat, 3/8" .....                     | 16  |
| 26   | 96115629 | Kit, Repair, Light Harness (Internal) .....  | 1   |

# POWER PACK WIRING





**NOTE:** See manual 97101915 - Snow Plow and Spreader Controls, for parts breakdown and details on your specific control. Image is only a representation of a controller and may not reflect actual product.

| ITEM | PART NO. | DESCRIPTION                                    | QTY |
|------|----------|--|-----|
| 1    | 96104221 | Harness, Battery Power .....                   | 1   |
| 2    | 96104230 | Harness, Plow Power.....                       | 1   |
| 3    | 96105273 | Harness, Solenoid.....                         | 1   |
| 4    | 96105167 | Bag Power Harness Parts.....                   | 1   |
| 5    | 96109143 | Fuse Holder .....                              | 1   |
| 6    | 96109142 | Fuse, 250 Amp.....                             | 1   |
| 7    | 96102891 | Cable, Power .....                             | 1   |
| 8    |          | Strap, Tie Plastic .....                       | 2   |
| 9    | 96105082 | Cap, Protective .....                          | 2   |
| 10   | 98100037 | Screw, Self Tapping, #10-16 x 1" .....         | 2   |
| 11   | 98009027 | Capscrew, Hex, 1/4"-20 x 1" .....              | 2   |
| 12   | 98100254 | Washer, Flat, 1/4".....                        | 2   |
| 13   | 96002086 | Switch, Solenoid (Early Model).....            | 1   |
| 14   | 96115722 | Switch, Solenoid (Late Model) .....            | 1   |
| 15   | 96105282 | Grommet, 3/8" ID (Used with item 13 only)..... | 2   |
| 16   | 98100255 | Nut, Hex Head Nylock, 1/4"-20 .....            | 2   |

# NUMERICAL INDEX

| PART NO. | PAGE | ITEM | PART NO. | PAGE | ITEM | PART NO. | PAGE | ITEM |
|----------|------|------|----------|------|------|----------|------|------|
| 96001392 | 6    | 61   | 96105240 | 16   | 14   | 96105314 | 14   | 19   |
| 96002039 | 22   | 7    |          | 18   | 2    |          | 16   | 23   |
| 96002086 | 27   | 13   |          | 20   | 7    |          | 18   | 27   |
| 96003010 | 22   | 8    | 96105241 | 14   | 28   |          | 20   | 28   |
|          | 24   | 2    |          | 16   | 31   | 96105315 | 14   | 21   |
| 96003060 | 22   | 9    |          | 18   | 21   |          | 16   | 24   |
|          | 24   | 9    |          | 20   | 22   |          | 18   | 26   |
| 96100001 | 10   | 3    | 96105243 | 14   | 14   |          | 20   | 27   |
|          | 11   | 2    |          | 16   | 17   | 96105316 | 14   | 22   |
|          | 12   | 5    |          | 18   | 6    |          | 16   | 25   |
| 96100003 | 12   | 8    |          | 20   | 5    |          | 18   | 25   |
| 96100004 | 12   | 6    | 96105244 | 14   | 29   |          | 20   | 26   |
| 96100440 | 22   | 20   |          | 16   | 32   | 96105317 | 14   | 18   |
|          | 24   | 16   |          | 18   | 20   |          | 16   | 26   |
|          | 26   | 22   | 96105245 | 14   | 27   |          | 18   | 33   |
| 96100514 | 22   | 2    |          | 20   | 21   |          | 20   | 34   |
|          | 24   | 5    |          | 14   | 31   | 96105318 | 14   | 31   |
| 96101536 | 22   | 12   |          | 16   | 30   |          | 16   | 35   |
| 96101891 | 4    | 38   |          | 18   | 29   | 96105422 | 18   | 8    |
| 96101976 | 16   | 18   | 96105246 | 14   | 26   | 96105618 | 4    | 24   |
|          | 18   | 18   |          | 16   | 29   | 96105735 | 20   | 25   |
|          | 20   | 19   |          | 18   | 28   | 96105737 | 20   | 29   |
| 96102116 | 22   | 21   | 96105248 | 14   | 23   | 96106069 | 10   | 2    |
| 96102168 | 4    | 30   |          | 16   | 27   |          | 11   | 4    |
| 96102542 | 7    | 10   |          | 18   | 24   |          | 12   | 7    |
| 96102781 | 6    | 71   | 96105249 | 14   | 25   | 96106071 | 10   | 5    |
|          | 9    | 3    |          | 16   | 34   |          | 11   | 5    |
| 96102891 | 27   | 7    | 96105250 | 14   | 12   |          | 12   | 3    |
| 96104221 | 27   | 1    |          | 16   | 12   | 96106076 | 4    | 33   |
| 96104230 | 27   | 2    |          | 18   | 16   | 96106077 | 4    | 33   |
| 96105082 | 27   | 8    |          | 20   | 2    | 96106100 | 20   | 10   |
| 96105167 | 27   | 4    | 96105251 | 14   | 13   | 96106103 | 16   | 16   |
| 96105231 | 14   | 30   |          | 16   | 13   | 96106148 | 6    | 58   |
|          | 16   | 33   |          | 18   | 17   | 96106184 | 6    | 63   |
|          | 18   | 22   |          | 20   | 3    | 96106605 | 6    | 40   |
|          | 20   | 23   | 96105253 | 16   | 11   | 96106606 | 22   | 1    |
| 96105233 | 20   | 35   | 96105255 | 14   | 11   | 96106690 | 22   | 3    |
| 96105234 | 14   | 10   | 96105273 | 27   | 3    | 96106691 | 22   | 4    |
|          | 16   | 15   | 96105275 | 14   | 3    | 96106692 | 22   | 6    |
|          | 18   | 3    |          | 16   | 3    |          | 24   | 10   |
|          | 20   | 4    |          | 18   | 10   | 96106693 | 22   | 10   |
| 96105237 | 14   | 9    | 96105282 | 27   | 14   |          | 24   | 8    |
|          | 16   | 9    | 96105313 | 14   | 20   | 96106802 | 14   | 15   |
|          | 18   | 15   |          | 16   | 22   |          | 16   | 19   |
|          | 20   | 18   |          | 18   | 32   |          | 18   | 34   |
| 96105238 | 16   | 10   |          | 20   | 33   | 96106803 | 14   | 32   |
|          |      |      |          |      |      |          | 16   | 36   |
|          |      |      |          |      |      | 96106913 | 4    | 18   |

# NUMERICAL INDEX

| PART NO. | PAGE | ITEM | PART NO. | PAGE | ITEM | PART NO. | PAGE | ITEM |
|----------|------|------|----------|------|------|----------|------|------|
| 96107012 | 4    | 9    | 96108631 | 22   | 14   | 96113803 | 8    | 1    |
| 96107013 | 4    | 13   |          | 24   | 20   | 96114190 | 9    | 11   |
| 96107014 | 4    | 16   |          | 26   | 24   | 96114395 | 12   | 2    |
| 96107128 | 4    | 9    | 96108873 | 4    | 7    | 96114405 | 8    | 14   |
| 96107130 | 4    | 11   |          | 26   | 14   | 96114406 | 8    | 12   |
| 96107329 | 4    | 8    | 96108876 | 6    | 55   | 96114407 | 8    | 13   |
| 96107395 | 6    | 57   | 96109142 | 27   | 6    | 96114409 | 20   | 8    |
| 96107505 | 4    | 11   | 96109143 | 27   | 5    | 96114413 | 18   | 5    |
| 96107513 | 6    | 52   | 96109929 | 4    | 16   |          | 20   | 6    |
| 96107551 | 4    | 5    | 96110260 | 26   | 3    | 96114438 | 18   | 4    |
|          | 22   | 13   | 96110394 | 4    | 23   |          | 20   | 9    |
|          | 24   | 18   | 96110515 | 4    | 8    | 96114440 | 14   | 25   |
|          | 26   | 7    | 96110952 | 6    | 51   |          | 18   | 30   |
| 96107555 | 7    | 6    | 96111171 | 14   | 6    |          | 20   | 31   |
| 96107557 | 7    | 6    |          | 16   | 6    | 96114446 | 18   | 19   |
| 96107647 | 7    | 4    |          | 18   | 11   |          | 20   | 20   |
| 96107648 | 7    | 4    |          | 20   | 13   | 96114511 | 4    | 1    |
| 96107649 | 7    | 7    | 96112352 | 7    | 1    | 96115629 | 26   | 26   |
| 96107711 | 6    | 41   |          | 9    | 1    | 96115630 | 24   | 11   |
| 96107767 | 4    | 28   | 96112583 | 14   | 7    |          | 26   | 4    |
| 96107768 | 4    | 28   |          | 16   | 7    | 96115722 | 27   | 14   |
| 96107893 | 24   | 1    |          | 18   | 13   | 96116278 | 9    | 7    |
| 96107983 | 24   | 7    | 96112584 | 14   | 4    | 96117599 | 4    | 23   |
| 96107984 | 24   | 3    |          | 16   | 4    | 96117600 | 4    | 25   |
| 96107985 | 24   | 6    |          | 18   | 9    | 97100879 | 7    | 5    |
| 96107986 | 24   | 4    | 96112726 | 7    | 7    | 97100882 | 22   | 19   |
| 96108030 | 22   | 16   | 96112893 | 12   | 4    |          | 24   | 14   |
|          | 24   | 12   | 96112948 | 14   | 2    | 97101835 | 7    | 16   |
| 96108116 | 24   | 21   |          | 16   | 2    |          | 8    | 15   |
|          | 26   | 5    |          | 18   | 7    | 98009003 | 6    | 69   |
| 96108117 | 24   | 22   |          | 20   | 11   |          | 9    | 13   |
|          | 26   | 6    | 96113232 | 9    | 8    | 98009005 | 7    | 13   |
| 96108324 | 14   | 5    | 96113426 | 4    | 1    | 98009009 | 6    | 49   |
|          | 16   | 5    | 96113427 | 4    | 1    |          | 8    | 3    |
|          | 18   | 12   | 96113472 | 6    | 70   |          | 22   | 18   |
|          | 20   | 14   | 96113583 | 26   | 15   |          | 24   | 13   |
| 96108325 | 14   | 8    | 96113645 | 26   | 11   |          | 26   | 20   |
|          | 16   | 8    | 96113649 | 26   | 13   | 98009013 | 4    | 20   |
|          | 18   | 14   | 96113690 | 26   | 12   |          | 7    | 8    |
|          | 20   | 15   | 96113767 | 26   | 2    |          | 8    | 8    |
| 96108627 | 14   | 11   | 96113768 | 26   | 1    | 98009015 | 9    | 4    |
|          | 16   | 16   | 96113780 | 8    | 4    | 98009017 | 9    | 5    |
|          | 18   | 35   | 96113785 | 8    | 6    | 98009022 | 6    | 67   |
| 96108630 | 22   | 15   | 96113791 | 10   | 4    |          | 22   | 17   |
|          | 24   | 17   |          | 11   | 3    |          | 24   | 15   |
|          | 26   | 23   |          |      |      |          | 26   | 21   |

# NUMERICAL INDEX

| PART NO. | PAGE | ITEM |
|----------|------|------|
| 98009027 | 4    | 36   |
|          | 27   | 11   |
| 98009030 | 4    | 17   |
|          | 6    | 72   |
|          | 9    | 10   |
| 98009032 | 6    | 42   |
|          | 22   | 26   |
|          | 24   | 19   |
|          | 26   | 25   |
| 98009036 | 6    | 54   |
| 98009037 | 6    | 62   |
| 98009075 | 9    | 12   |
| 98009078 | 6    | 60   |
|          | 9    | 2    |
| 98009085 | 4    | 15   |
| 98009114 | 4    | 32   |
| 98009150 | 6    | 74   |
| 98009171 | 7    | 9    |
|          | 8    | 7    |
| 98009226 | 26   | 16   |
| 98019176 | 6    | 65   |
| 98019230 | 6    | 66   |
| 98100007 | 4    | 31   |
| 98100020 | 6    | 56   |
|          | 8    | 2    |
| 98100037 | 22   | 5    |
|          | 27   | 10   |
| 98100049 | 26   | 8    |
| 98100062 | 4    | 26   |
| 98100129 | 26   | 17   |
| 98100172 | 4    | 19   |
| 98100176 | 4    | 22   |
|          | 7    | 15   |
| 98100240 | 26   | 9    |
| 98100254 | 4    | 37   |
|          | 27   | 12   |
| 98100255 | 6    | 39   |
|          | 27   | 15   |
| 98100264 | 6    | 73   |
| 98100266 | 6    | 64   |
| 98100275 | 4    | 29   |
| 98100312 | 4    | 10   |
| 98100313 | 4    | 12   |
| 98100314 | 6    | 48   |
| 98100315 | 6    | 59   |
| 98100323 | 6    | 68   |

| PART NO. | PAGE | ITEM |
|----------|------|------|
| 98100324 | 4    | 27   |
| 98100325 | 6    | 53   |
| 98100326 | 4    | 14   |
| 98100335 | 26   | 19   |
| 98100336 | 26   | 10   |
| 98100343 | 26   | 18   |
| 98100390 | 4    | 21   |
| 98100508 | 9    | 9    |
| 98100538 | 7    | 14   |
| 99100196 | 22   | 11   |
| 99100197 | 22   | 11   |

| PART NO. | PAGE | ITEM |
|----------|------|------|
|----------|------|------|

---

**SNO-WAY<sup>®</sup> INTERNATIONAL, INC.**

**SNO-WAY<sup>®</sup>**  
**SNOW & ICE CONTROL EQUIPMENT**

Hartford, WI 53027 USA  
Website: [www.snoway.com](http://www.snoway.com)  
©2023 Sno-Way<sup>®</sup> International